

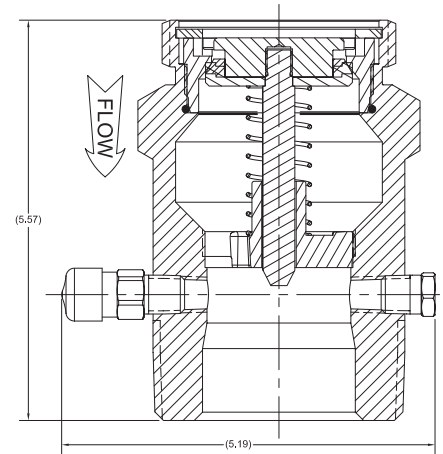
Low Emission ACME Connector For Transports and Bobtails 6588LE & 6589LE

Application

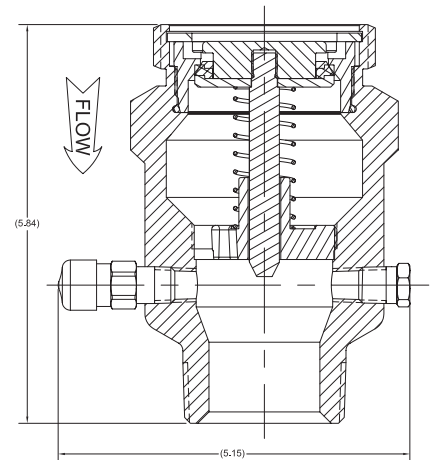
Designed to provide fast filling of bobtails, transports and large bulk storage tanks while providing for low emission of LPG when disconnecting.

Features

- 3/4" Male Acme Connector with reduced emissions, 90% less than current RegO ACME adapters.
- 10.5 cubic centimeters of liquid discharged at disconnect
- UL Listed as a Filler Valve.
- Safety groove is designed to shear below ACME threads leaving the valve seat closed and unaffected if the vehicle pulls away with the hose connected.
- Seat disc is made of synthetic composition and is mechanically held in place by a seat disc retainer.
- Stainless Steel return spring.
- One- piece poppet stem for smooth operation.
- Will connect to any standard female 3/4" ACME adapter.
- Hydrostatic relief valve included (3125L).



6588 Series



Materials

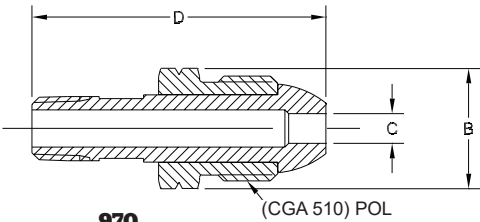
Upper Body.....	Brass
Lower Body.....	Brass
Poppet & Stem Assembly.....	Brass
Spring.....	Stainless Steel
Gasket.....	Resilient Synthetic Rubber
Seat Disc.....	Resilient Synthetic Rubber



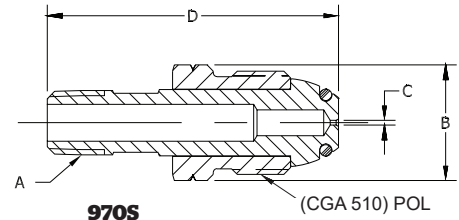
Ordering Information

Part Number	ACME Connection	Outlet Connection M.NPT	Wrench Flats	Hydrostatic Relief Valve	Propane Capacity at Various Differential Pressures (GPM)		
					5 PSIG	10 PSIG	25 PSIG
6588LE	3/4"	2"	3 1/2"	3125L	138	223	349
6589LE	3/4"	3"		3125L			

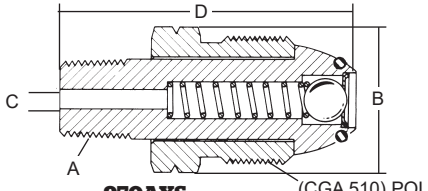
Male POL Swivel Adapters



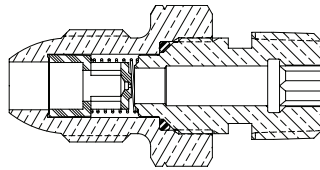
970
Hard Nose POL



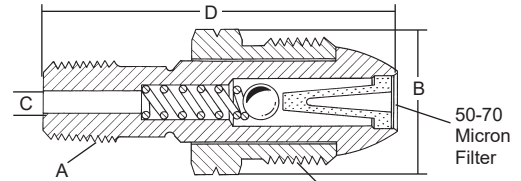
970S
Soft Nose POL w/60 DMS Orifice



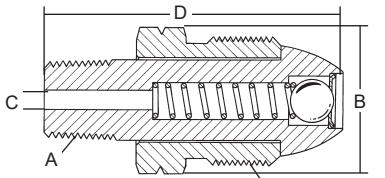
970AXS
Soft Nose POL w/Excess Flow



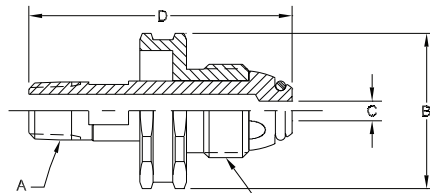
3188 Series



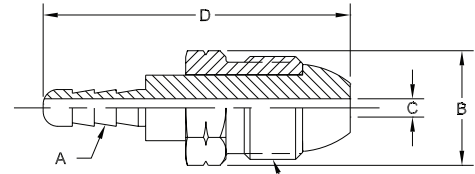
3199W
Heavy Duty Hard Nose POL w/Excess Flow



970AX
Hard Nose POL w/Excess Flow



970AW
970HT
Soft Nose POL w/Handwheel



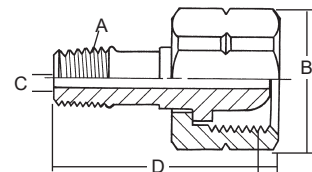
970JR
Hard Nose POL w/Hose Barb Connection

Ordering Information

Part Number	Material	A Outlet Thread	B Hex	C Drill	D Overall Length	Vapor at 100 PSIG Inlet (SCFH)	Liquid (GPM)	
970	Brass	1/4" M. NPT	3/8"	1/4"	2 15/32"	-	-	
970S				.040" orifice				
970AX				1/8"				
970AXS				1/8"				
970AWXS			1 3/8"	5/32"	2 7/16"	450	0.95	
3199W				3/16"	2 15/32"	-	-	
970AW			1/4" Hose Barb	3/8"	5/32"	2 5/8"	-	-
970HT					5/32"	2 1/2"	350	.95
970JR			1/2" M. NPT	1 1/8"	5/32"	2 1/2"	700	1.9
3188A							1180	2.9
3188B								
3188C								

Note: All nipples incorporate wrench hex section.

CGA 555 Swivel Adapters

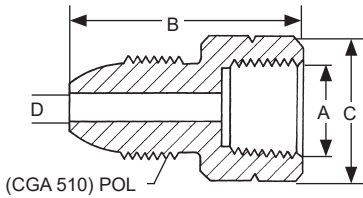


CGA 555

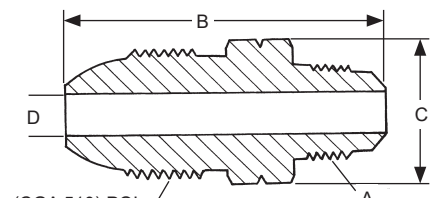
Ordering Information

Part Number	Material	A Outlet Thread	B Hex	C Drill	D Overall Length
12982	Brass	1/4" M. NPT	1 1/8"	3/16"	1 1/8"

POL Adapters



(CGA 510) POL Male POL x Female NPT



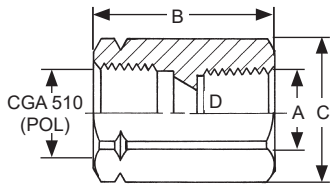
(CGA 510) POL Male POL x Male NPT and SAE Flare

Ordering Information

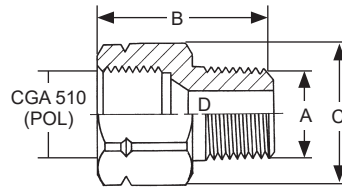
Part Number	Material	A F.NPT	B	C Hex	D Diameter
2906A	Brass	1/4"	1 1/2"	7/8"	9/32"
2906G		1/2"	2"	1 1/8"	

Ordering Information

Part Number	Material	A	B	C Hex	D Diameter
2906D	Brass	3/8" M. NPT	2 5/64"	7/8"	1 1/32"
2906F		3/8" SAE Flare	2 3/32"		9/32"
2906E		1/2" SAE Flare	2 9/32"		



Female POL x Female NPT and Female POL



Female POL x Male NPT

Ordering Information

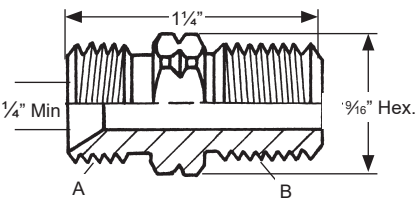
Part Number	Material	A	B	C Hex	D Diameter
5760A	Brass	1/4" F.NPT	1 5/8"	1 1/8"	1 3/32"
5760B		3/8" F.NPT			1 3/32"
5760C		1/2" F.NPT			7/16"
5760D		3/4" F.NPT	1 7/8"	1 3/8"	1 3/32"
5760S		POL (CGA 510)	2 1/8"	1 1/8"	

Ordering Information

Part Number	Material	A	B	C Hex	D Diameter
5761A	Brass	1/4" M.NPT	1 5/8"	1 1/8"	3/16"
5761B		3/8" M.NPT			1 3/32"
5761C		1/2" M.NPT			7/16"
5761D		3/4" M.NPT			

Hose Adapter

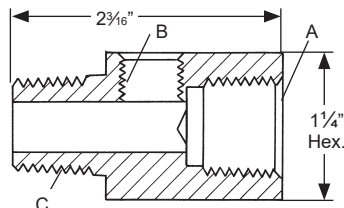
For use with fuel gases (LP-Gas, Acetylene).



Ordering Information

Part Number	Material	A	B
1300	Brass	5/8"-18UNF (L.H.)	1/4" M. NPT

Pressure Gauge Adapter

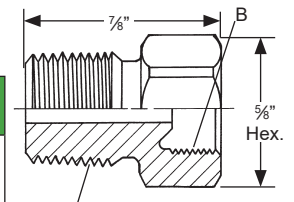


Ordering Information

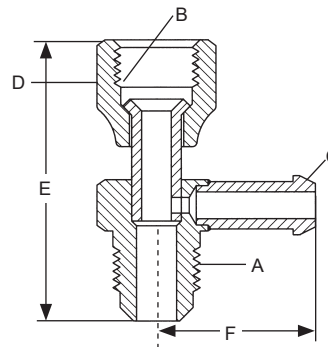
Part Number	Material	A	B	C
1494-1	Brass	1/2" F. NPT	1/4" F. NPT	1/2" M. NPT

Ordering Information

Part Number	Material	A	B
15774-1	Brass	1/4" M. NPT	1/4" Female Inverted Flare



Female Inverted Flare x Male NPT



Ordering Information

Part Number	Material	A	B	C	D	E	F
1328	Brass	3/8" SAE Male Flare	3/8" SAE Female Flare	3/8" Hose Barb	1 3/16"	2"	1 1/8"
1331		1/2" SAE Male Flare	1/2" SAE Female Flare		1"	2 1/8"	1 1/4"
1332		5/8" SAE Male Flare	5/8" SAE Female Flare		1 1/8"	2 1/2"	