

4" Flanged Internal Valve for Transports and Large Stationary Storage Tanks A3219 Series

Application

Designed primarily for LP-Gas and anhydrous ammonia service on MC331 transport pressure vessels and large stationary storage tanks. Installation is quick and easy, and it fits in most existing tank flanges. The valve may be actuated manually or pneumatically.

Use of the A3219RT Remote Thermal Release with this valve is suggested to provide a remote means of mechanical closure along with thermal protection, as required by DOT.

Features

Provides More Efficient Operation

- Flow passages designed to allow higher pumping rates without cavitation or loss of efficiency—saves time and money.
- One piece, stainless steel pilot valve provides more accurate alignment for dependable operation.
- Remote release lever allows cables to run directly to opposite ends of vessel without pulleys or tubing.

Protects Your Pump

- Main disc retaining screws are installed from the top down to help minimize loose screws from entering and damaging the pump.
- Back-up cotter pin is designed to minimize the chance of a loosened actuator nut and washer from entering and damaging the pump.

Less Frequent-Easier Maintenance

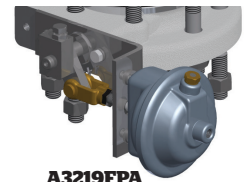
- Easily replaceable chrome plated seat insert eliminates need for expensive remachining of valve body when overhauled.
- Stainless steel screws resist rusting and are easily removed during valve disassembly.
- Strainer completely covers the top of the valve to help keep out sediment and foreign material.
- Strainer seats at the top flange of the valve's seat insert, making removal of the valve easier.

Durable Construction

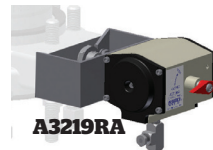
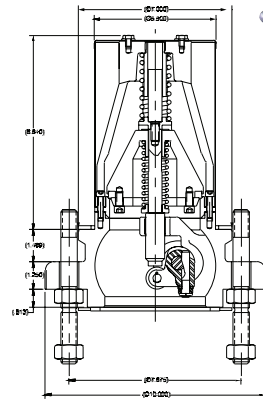
- Cadmium plating helps resist corrosion during storage and use.
- Taper pin lock secures the operating shaft to provide for more precise, trouble-free actuation.
- Built-in excess flow valve and thermal protection.
- Specify RegO Internal Valves on your next new tank body or rebuild.



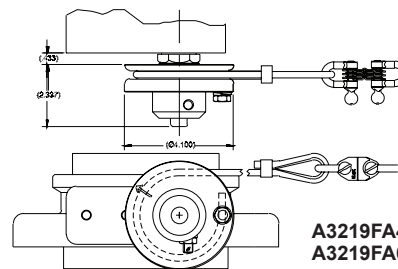
A3219FA



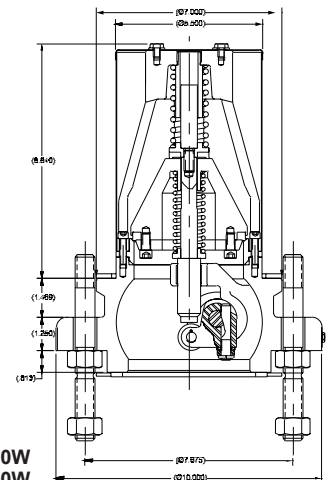
A3219FPA



A3219RA



A3219FA400W
A3219FA600W



Materials

Body and Valve Cage	Cadmium Plated Ductile Iron
Handle	Cadmium Plated Ductile Iron
Seat	Nickel Chrome Plated Steel
Strainer	Stainless Steel
Stem	Stainless Steel
Pilot Valve Plug	Stainless Steel
Springs	Stainless Steel
Roller Actuator	Cadmium Plated Carbon Steel
Lever Assembly	Cadmium Plated Carbon Steel
Seat Disc	Resilient Synthetic Rubber

Ordering Information

Part Number*	Inlet Connection	Outlet Connection	Closing Flow GPM***		Accessories	
			LP-Gas	NH3	Pneumatic Actuator	Remote Thermal Release
A3219FA400L	4" 300# ANSI RF Modified Flange**	4" 300# ANSI RF Flange	400	360	A3219FPA A3219RA	A3219RT (2)
A3219FA600L			600	540		
A3219FA600W			400	360	-	A3219W
A3219FA400W						

* Valve supplied with 16 nuts and 8 studs for mounting.
 ** Modified bore = 5 7/8" diameter with 7" diameter raised face.
 *** Other closing flows available

4" Flanged Internal Valves for Transports and Large Stationary Storage Tanks

Application

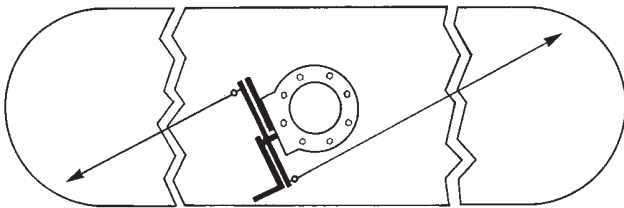
A3219FPA Pneumatic Actuator

The A3219FPA Pneumatic Actuator is designed especially for use with the A3219FA Series Flanged Internal Valves. The diaphragm type A3219FPA provides a convenient means of opening and closing the valve from a remote location, using either air or nitrogen, on LP-Gas and NH₃ transport trailers and stationary tanks.

Features

- Diaphragm type—no seals to leak.
- Easily installed on internal valve "in-line."
- Utilizes standard brake actuator with time proven performance in heavy-duty truck/trailer applications.
- Compatible with existing air interlock systems.
- Operate with pressures of 50-150 psig.
- Thermal fuse installed in actuator complies with DOT thermal protection requirements.

Typical Valve Positioning



Typical Valve Installation

