

3" Flanged Internal Valves for Bobtail Delivery Trucks, Transports and Large Stationary Storage Containers A3217A & A3217DA

Application

Designed primarily for LP-Gas and anhydrous ammonia filling and/or withdrawal on MC331 bobtail delivery trucks, transports and stationary storage tanks with flanged pumps or piping. Installation is quick and easy, and the valve may be operated manually by cable or pneumatically. Lever available on right or left side to allow for installation without the use of an extra pulley.

Features

Provides More Efficient Operation

- Flow passages designed to allow substantially higher flow without cavitation or loss of efficiency--saving time and money.
- Simple operating lever facilitates easy adaptation of all cable controls.
- Lever available on right or left side to allow for installation without the use of an extra pulley.
- Nylon bearing supported operating shaft provides smooth, easy operation.

Less Frequent-Easier Maintenance

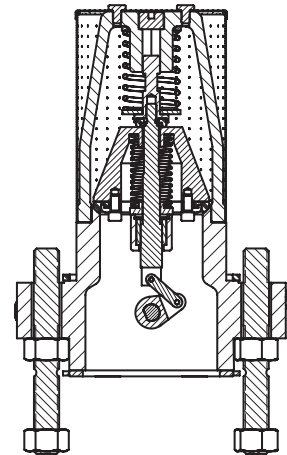
- Stainless steel screws resist rusting and are easily removed during valve disassembly.
- Heavy duty rod wiper helps minimize dirt and foreign material from entering operating shaft and hampering operation.

Durable Construction

- Cadmium plating helps resist corrosion during storage and use.
- All ferrous materials with a temperature range of -40° F. to +165° F. and a pressure rating of 400 psi.
- Sturdy retaining ring secures operating cam to provide for more durable, slack-free operation.
- Built-in excess flow valve.
- Specify RegO Internal Valves on your next new tank or when your truck is rebuilt.



A3217AR



Ordering Information

Part Number	Operating Lever Position	Inlet Connection	Outlet Connection	Closing Flow GPM		Accessories	
				LP-Gas	NH3	Pneumatic Actuator	
						Right Operation	Left Operation
Single Flange							
A3217AR160	A3217AL160	3" 300# ANSI RF Modified Flange*	3" 300# ANSI RF Flange	160	145	A3217ARPA A3217RA	A3217ALPA A3217LA
A3217AR210	A3217AL210			210	190		
A3217AR260	A3217AL260			260	236		
A3217AR410	A3217AL410			410	372		
A3217AR510	A3217AL510			510	459		
Double Flange							
A3217DAR160	A3217DAL160	3" 300# ANSI RF Modified Flange*	3" 300# ANSI RF Flange	160	145	A3217ARPA A3217RA	A3217ALPA A3217LA
A3217DAR210	A3217DAL210			210	190		
A3217DAR260	A3217DAL260			260	236		
A3217DAR410	A3217DAL410			410	372		
A3217DAR510	A3217DAL510			510	459		

* Valve supplied with 16 nuts and 8 studs for mounting.

**Modified bore=4 1/2" diameter with 5 1/2" diameter raised face.

3" Flanged Internal Valves for Bobtail Delivery Trucks, Transports, and Large Stationary Storage Tanks

A3217ARPA and A3217ALPA Pneumatic Actuators

These Pneumatic Actuators are designed specifically for use with the A3217 Series 3" Internal Valves. The diaphragm design provides a convenient means of opening and closing the valve from a remote location, using either air or nitrogen.

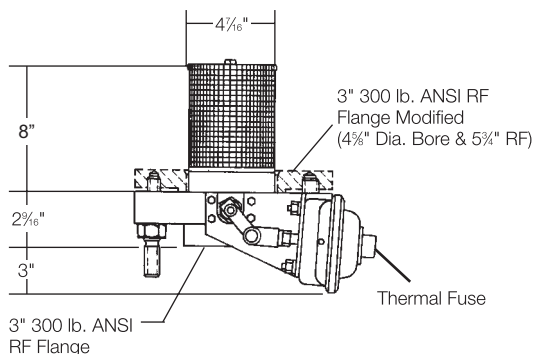
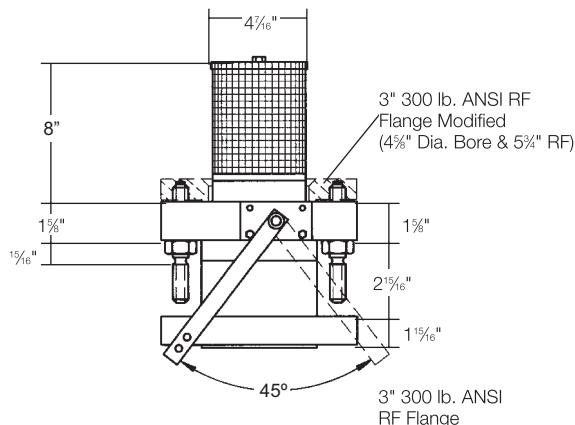


Features

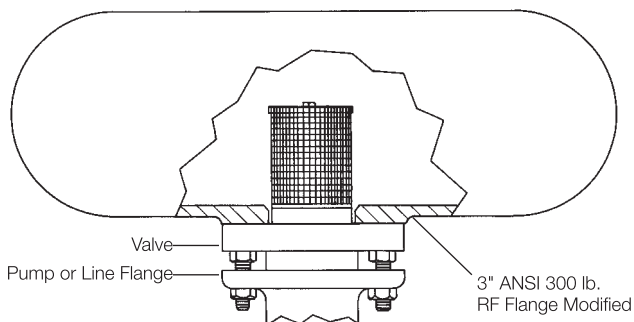
- Diaphragm type—no seals to leak.
- Easily installed on internal valve "in-line."
- Utilizes standard air brake chamber with proven performance over many years of heavy-duty truck/trailer applications.
- Compatible with existing air interlock systems.
- Operates with pressures of 50-150 psig.
- Thermal Fuse installed complies with DOT thermal protection requirements.

Materials

Body and Valve Cage	Cadmium Plated Ductile Iron
Seat	Nickel Chrome Plated Steel
Strainer	Stainless Steel
Shaft	Stainless Steel
Pilot Valve Stem	Stainless Steel
Springs	Stainless Steel
Actuator Cam.....	Stainless Steel
Lever.....	Cadmium Plated Carbon Steel
Seat Disc	Resilient Synthetic Rubber



Typical Valve Installation



A3217A & FA Series

