

“Pop-Action” Pressure Relief Valves

General Information

The “Pop-Action” design permits the RegO Pressure Relief Valve to open slightly to relieve moderately excessive pressure in the container. When pressure increases beyond a predetermined point, the valve is designed to “pop” open to its full discharge capacity, reducing excess pressure quickly. This is a distinct advantage over ordinary valves which open gradually over their entire range, allowing excessive pressure to develop before the relief valve is fully open. All RegO internal, semi-internal, and external relief valves incorporate this “Pop-Action” design.

Relief Valves in this catalog are only intended for use in LP-Gas or anhydrous ammonia service. Do not use any other service commodity. If you have an application other than conventional LP-Gas or anhydrous ammonia service, contact RegO before proceeding.

Fully Internal “Pop-Action” Pressure Relief Valves for Transports and Bobtail Delivery Vehicles A8434 and A8436 Series

Application

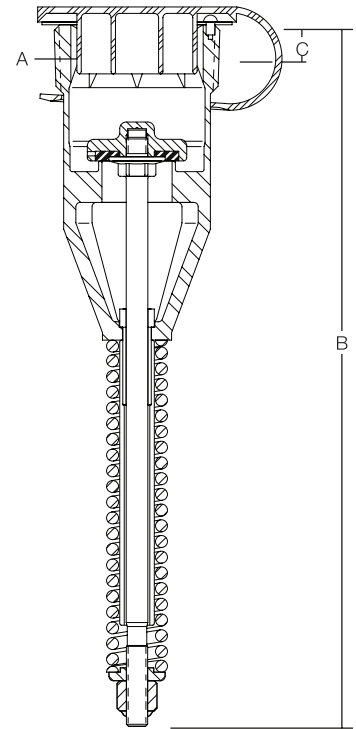
Designed specifically for use as a primary relief valve on ASME cargo tanks for transportation and bobtails with 2” and 3” F.NPT couplings.

Features

- Low profile design ensures maximum protection against shearing or distortion.
- All functioning parts are located below the level of the container connection to reduce the possibility of damage or tampering.
- Longer spring size designed to minimize stress cracking in service.
- Use of two different materials for stem and guide minimizes the possibility of stem seizure which may occur when similar materials are used.
- Internal octagonal wrenching broach ensures easy installation and removal.
- ASME rated for use with LP-Gas and anhydrous ammonia A8434 and A8436 Series
- ASME rated for use with LP-Gas and Propylene VA8436 Series

Materials

Body Stainless Steel
 Spring Stainless Steel
 Stem Stainless Steel
 Stem Bushing 17 - 4PH Stainless Steel
 Seat Disc (A8434 & A8436 series) Resilient Synthetic Rubber
 Seat Disc (VA8436 series) Viton



A8434-SERIES



Ordering Information

Part Number	Start To Discharge Setting PSIG	A Container Connection	B Overall Height (Approx.)	C Height Above Coupling (Approx.)	UL (At 120% of Set Pressure)	ASME (At 120% of Set Pressure)	LP-Gas	NH ₃	Propylene	Protective Cap (Included)
A8434G	250	2" M. NPT	9 1/16"	1/2"	3700	3456	Yes	Yes	No	A8434-11B
A8434N	265					3659				
A8436G	250	3" M. NPT	21.951"	10210	9598					
A8436N	265				9839					
VA8436G	250				9596					
VA8436N	265				9839					
					-		No	Yes	A8436-11B	

* Per NFPA Pamphlet #58, Appendix D. Area shown is for UL or ASME flow rating—whichever is larger.