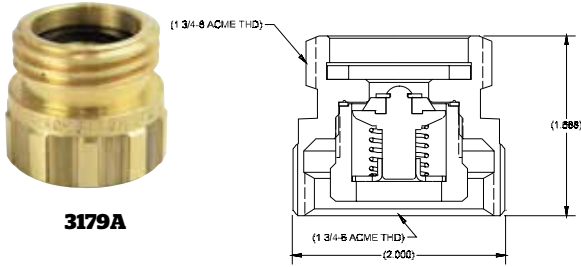
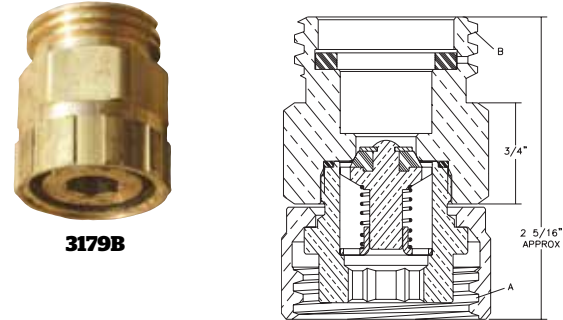


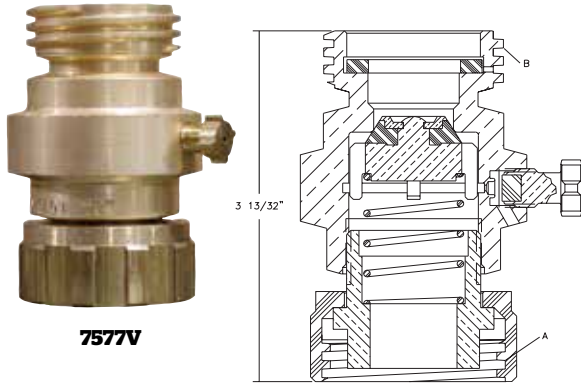
Filler Hose Adapters 3179B, 7577V and 7576



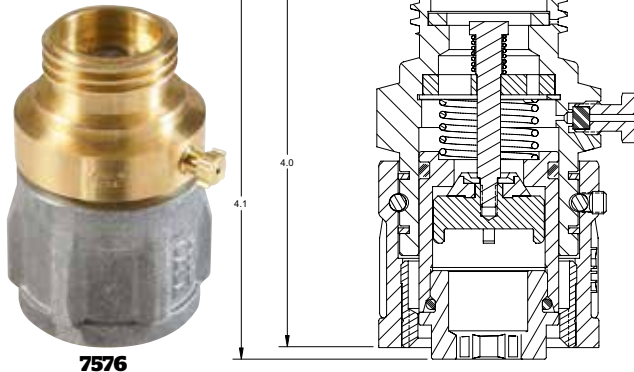
3179A



3179B



7577V



7576



These adapters are designed with minimal flow restriction and recommended for use on the outlet of the LP-Gas delivery truck filler hose. If the controlled bleed off of the connection indicates the filler valve on the tank being filled has failed to close, the hose adapter should be left in place on the filler valve and disconnection should be made at the regular filler hose coupling. (Repair of the filler valve must be made as soon as possible). An integral check valve in these adapters helps prevent further loss of product. The standard filler valve cap should be attached to these adapters when left on the container.

Ordering Information

Part Number	Built-in Vent Valve	A Filler Valve Connection	B Hose Connection
7577V	Yes	1 3/4" F. ACME	1 3/4" M. ACME
3179A 3179B	No		
7576	Yes		



POL Plugs



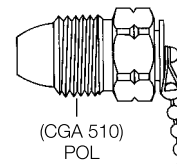
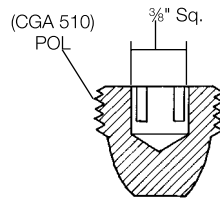
10538P
(Has hole for attaching wire to prevent loss of plug)



N970P

Highly recommended for installation in LP-Gas cylinder valve POL outlets whenever the service line is disconnected or when the cylinder is being transported.

When properly installed, the POL plug is designed to prevent contamination of the valve outlet and guards against product leakage if the cylinder valve is accidentally opened.



3705RC
W/Chain & Ring



Ordering Information

Part Number	Material	Connection
N970P	Cyclac	M. POL (CGA 510)
10538P	Brass	
3705RC		

