

# Stainless Steel Swing Check Valve for Cryogenic Service

## 886 Series

REGO  
**10**  
YEAR  
WARRANTY

### Application

The RegO Goddard 886 Series check valve is designed for handling of cryogenic liquids through bulk tanks, trucks, trailers, ISO-containers and piping configurations. Compatible with oxygen, nitrogen, CO2 argon and LNG.

### Features

- **Top Entry:** This bolted bonnet valve can be permanently installed in the line and serviced from the top
- **Construction:** Designed to prevent back flow in cryogenic systems. Higher fluid capacity (C<sub>v</sub>) than poppet or lift check valves. 316L stainless steel investment cast body, cap and arm, according to ASME B16.34
- **Sizes:** ½" through 4" (15mm through 100mm)
- **Ends:** Socket weld and butt weld schedule 10 and 40
- **Temperature Rating:** -320°F to 150°F (-196°C to +66°C)
- Cleaned for Oxygen Service per CGA G-4.1.
- **Pressure Rating:** (Cold, Non-shock)
  - 400 psig (27 barg) ½" - 2"
  - 275 psig (19 barg) 150# ANSI Class 3" and 4"
  - 720 psig (50 barg) 300# ANSI Class 3" and 4"
  - PED Approved
- **Note: Do not use for reciprocating gas service**
- **Our investment cast stainless steel is specified by leading industrial gas companies for storage tank and yard operations**
- **Ideal for liquid atmospheric gases and LNG storage and handling**
- **High cycle life and superior sealing**
- **Valves for hydrogen service can be supplied (-425°F to +350°F) (-254° C to 176° C.)**
- **Cracking Pressure:** 0.5 psig (0.03) barg



**886 Series**

### Ordering Information

#### 886

Stainless Steel Swing Check Valves  
Soft Seat

#### GRAFOIL® Gasket - Hydrogen Service - Socket Weld

Part Number	Valve Size		End Connection	Seat	Pressure Rating	Estimated C <sub>v</sub> (Kv)	Weight	
	Inches	DN					Lbs.	Kg
<b>S-886GF-4S</b>	½"	15	Socket Weld	Soft	400 (27.5 barg)	4.50 (3.89)	3	1.36
<b>S-886GF-8S</b>	1"	25				18.00 (15.57)	11	4.98
<b>S-886GF-12S</b>	1½"	40				61.00 (52.76)	17	7.71

#### PTFE Gasket - Socket Weld

Part Number	Valve Size		End Connection	Seat	Pressure Rating	Estimated C <sub>v</sub> (Kv)	Weight	
	Inches	DN					Lbs.	Kg
<b>S-886-4S</b>	½"	15	Socket Weld	Soft	400 (27.5 barg)	4.50 (3.89)	3	1.36
<b>S-886-8S</b>	1"	25				18.00 (15.57)	11	4.98
<b>S-886-12S</b>	1½"	40				61.00 (52.76)	17	7.71

# Stainless Steel Swing Check Valve for Cryogenic Service

## 886 Series

### PTFE Gasket - Butt Weld

Part Number	Valve Size		End Connection	Seat	Butt Weld Schedule	Pressure Rating	Estimated Cv (Kv)	Weight		
	Inches	DN						Lbs.	Kg	
S-886-4WA	½"	15	Butt Weld	Soft	10	400 (27.5 barg)	4.50 (3.89)	3	1.36	
S-886-8WA	1"	25					18.00 (15.57)	11	4.98	
S-886-12WA	1½"	40					61.00 (52.76)	17	7.71	
S-886-16W3A	2"	50					99.00 (85.63)			
S-886-24WA	3"	80					275 (19 barg)	225.00 (194.62)	47	21.31
S-886-24WJ							46	20.86		
S-886-32W3J	4"	100			720 (50 barg)	475.00 (410.87)	95	43.09		
S-886-32WA					10				275 (19 barg)	

### 886M

Stainless Steel Swing Check Valves - Metal Seat

### PTFE Gasket - Socket Weld

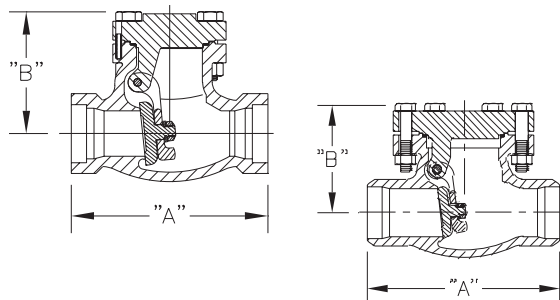
Part Number	Valve Size		End Connection	Seat	Pressure Rating	Estimated Cv (Kv)	Weight	
	Inches	DN					Lbs.	Kg
S-886M-4S3	½"	15	Socket Weld	Metal	720 (50 barg)	4.50 (3.89)	3	1.36
S-886M-8S3	1"	25				18.00 (15.57)	11	4.98
S-886M-12S3	1½"	40				61.00 (52.76)	17	7.71

### Butt Weld Ends

Part Number	Valve Size		End Connection	Seat	Butt Weld Schedule	Pressure Rating	Estimated Cv (Kv)	Weight	
	Inches	DN						Lbs.	Kg
S-886M-16W3A	2"	50	Butt Weld	Metal	10	720 (50 barg)	99.00 (85.63)	17	7.71
S-886M-24W3J	3"	80			40		225.00 (194.62)	46	20.86
S-886M-24W3A	3"				10	275 (19 barg)	475.00 (410.87)	95	43.09
S-886M-32WA	4"	100			40				
S-886M-32W3J	4"								

### Butt Weld Ends with GRAFOIL® Gasket for Hydrogen Service

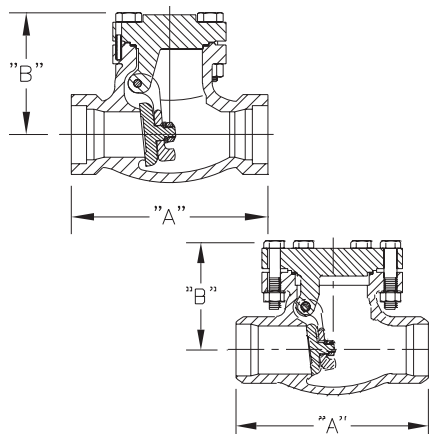
Part Number	Valve Size		End Connection	Seat	Butt Weld Schedule	Pressure Rating	Estimated Cv (Kv)	Weight Lbs.	
	Inches	DN						Lbs.	Kg
S-886MGF-16W3A	2"	50	Butt Weld	Metal	10	720 (50 barg)	99.00 (85.63)	17	7.71
S-886MGF-24W3A	3"	80					225.00 (194.62)	46	20.86



### 886

Pressure Rating 300 psig (20 barg) Non-Shock Cold,  
Temperature Rating +150° F to - 325° F (+65°C to -198°C)

Size		"A"		"B"	
inches	DN	inches	mm	inches	mm
½"	15	4¼"	107.95	2½"	63.5
¾"	20	5"	127	3¼"	82.55
1"	25				
1½"	40	6½"	165.1	4"	101.6
2"	50	8"	203.2	4½"	107.95



### 886M

Service 300 Class 720 psig (50 barg) Non-Shock Cold,  
Temperature Rating +150° F to - 325° F (+65°C to -198°C)

Size		"A"		"B"		Butt Weld End Schedule
inches	DN	inches	mm	inches	mm	
1½"	40	6½"	165.1	4"	101.6	10
2"	50	8"	203.2	4½"	107.95	
3"	80	9½"	241.3	5¾"	146.05	10 & 40
4"	100	11½"	292.1	8¾"	212.85	10
		14"	355.6			40

Size		"A"		"B"		End	End Dimension
inches	DN	inches	mm	inches	mm		
½"	15	2⅞"	61.97	4¼"	107.69	Socket Weld	SCH 10
							½" Pipe Socket