

Stainless Steel Globe Valves for Cryogenic Service

SK Advantage Series Long Stem

Application

The SK Advantage Series of Stainless Steel Globe Valves are designed for handling cryogenic liquids through trailer, bulk vessels and piping configurations. Ideal service medium includes oxygen, nitrogen, krypton, carbon dioxide, dinitrogen monoxide, carbon dioxide, methane, ethane, ethylene, argon and LNG. Our Kold-Seal stem seal technology assures a tight seal preventing cryogen gas loss. The conical seat design allows exceptional flow, positive shutoff and less chance of debris accumulation in the flow path, all resulting in an overall longer service life. Maintenance on the packing and seat is quick and easy.

Features

- **Soft Seat:** PCTFE material which is the most widely specified cryogenic seat material in the industry
- **Construction:** Bolted bonnet allows easy access to the valve internals for servicing
- **Stem Packing:** Proven Kold-Seal technology, Live Loaded PTFE
- **Sizes:** 1/4" through 2"
- **Connection:** Socket weld and butt weld
- **Service:** Liquefied and vaporized atmospheric gases, LNG
- **Temperature Rating:** -320°F to +150°F (-198°C to +65°C)
- **Pressure Rating:** Cold, Non-Shock, 725 psig (50 barg) Class 300 (PN 50)
- Cleaned and packaged for oxygen service per CGA G-4.1
- **Application:** Multiple stem lengths available for selected service
- **Packaging:** Each valve is individually bagged and boxed to arrive in factory new condition until installation

Materials

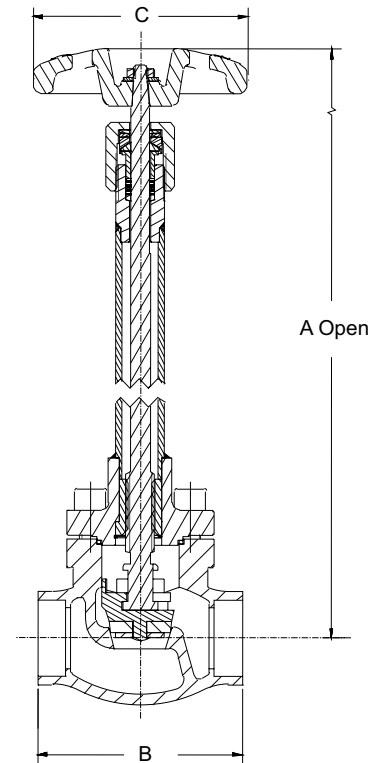
Body Stainless Steel ASTM A351 CF8
 Bonnet and Tube .. Stainless Steel ASTM A351 CF8/ASTM A479 type 304
 StemStainless Steel ASTM A582 S30300
 Spring.....Stainless Steel ASTM A313 S30200
 Packing..... Live Loaded PTFE Packing
 Gasket.....PTFE 25% Glass Fill
 Seat Disc.....PCTFE ASTM D1430
 Seat Retainer.....Brass ASTM B16
 Bonnet Screws.....ASTM B16 C36000
 Handwheel..... Painted Aluminum

Quality / Facility Features

- Material traceability in accordance with BS EN 10204 3.1
- CE Marking per European Pressure Equipment Directive



SK Advantage



TPED & PED Certified  

Ordering Information

Part Number	Size Inches	Size DN	Connection	A Inches	A mm	B Inches	B mm	C Inches	C mm	Cv	Kv	Weight lbs	Weight kg
SKL9402SW	1/4"	8	Socket Weld	14.6	370	2.7	68	4	102	1.7	1.47	3.76	1.70
SKL9404SW	1/2"	15				5	4.30			3.47	1.68		
SKL9406SW	3/4"	20				9.4	8.10			5.17	2.34		
SKL9408SW	1"	25				14	1.16			5.34	2.42		
SKL9412SW	1 1/2"	40				4.7	121	5	127	28.3	21.9	9.48	4.30
SKL9416SW	2"	50				5.7	146			53	45.8	16.3	7.39
SKL9402BW	1/4"	8	Butt Weld	14.6	370	2.7	68	4	102	1.7	1.47	3.76	1.70
SKL9404BW	1/2"	15				5	4.30			3.47	1.68		
SKL9406BW	3/4"	20				9.4	8.10			5.17	2.34		
SKL9408BW	1"	25				14	12.10			5.34	2.42		
SKL9412BW	1 1/2"	40				4.7	121	5	127	28.3	21.60	9.48	4.30
SKL9416BW	2"	50				5.7	146			53	45.80	16.3	7.39

SW = Socket Weld; BW = Butt Weld

Stainless Steel Globe Valves for Cryogenic Service

SK Advantage Series Medium Stem

REGO
10
YEAR
WARRANTY

Application

The **SK Advantage** Series of Stainless Steel Globe Valves are designed for handling cryogenic liquids through trailer, bulk vessels and piping configurations. Ideal service medium includes oxygen, nitrogen, krypton, carbon dioxide, dinitrogen monoxide, carbon oxide, methane, ethane, ethylene, argon and LNG . Our Kold-Seal stem seal technology assures a tight seal preventing cryogen gas loss. The conical seat design allows exceptional flow, positive shutoff and less chance of debris accumulation in the flow path, all resulting in an overall longer service life. Maintenance on the packing and seat is quick and easy.

Features

- **Soft Seat:** PCTFE material which is the most widely specified cryogenic seat material in the industry
 - **Construction:** Bolted bonnet allows easy access to the valve internals for servicing
 - **Stem Packing:** Proven Kold-Seal technology, Live Loaded PTFE
 - **Sizes:** ¼" through 2"
 - **Connection:** Socket weld and butt weld
 - **Service:** Liquefied and vaporized atmospheric gases, LNG
 - **Temperature Rating:** -325°F to +150°F (-198°C to +65°C)
 - **Pressure Rating:** Cold, Non-Shock, 725 psig (50 barg) Class 300 (PN 50)
- Cleaned and packaged for oxygen service per CGA G-4.1
 - **Application:** Multiple stem lengths available for selected service
 - **Packaging:** Each valve is individually bagged and boxed to arrive in factory new condition until installation

Materials

Body Stainless Steel ASTM A351 CF8
 Bonnet and Tube .. Stainless Steel ASTM A351 CF8/ASTM A479 type 304
 StemStainless Steel ASTM A582 S30300
 SpringStainless Steel ASTM A313 S30200
 Packing..... Live Loaded PTFE Packing
 GasketPTFE 25% Glass Fill
 Seat DiscPCTFE ASTM D1430
 Seat Retainer.....Brass ASTM B16
 Bonnet ScrewsASTM B16 C36000
 Handwheel..... Painted Aluminum

Quality / Facility Features

- Material traceability in accordance with BS EN 10204 3.1
- CE Marking per European Pressure Equipment Directive



TPED & PED Certified

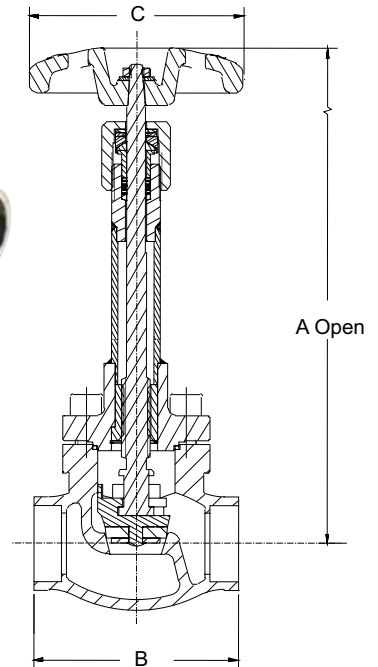
Ordering Information

Part Number	Size Inches	Size DN	Connection	A Inches	A mm	B Inches	B mm	C Inches	C mm	Cv	Kv	Weight lbs	Weight kg
SKM9402SW	¼"	8	Socket Weld	10.6	270	2.7	68	4	102	1.7	1.47	3.31	1.50
SKM9404SW	½"	15								5	4.30	3.29	1.48
SKM9406SW	¾"	20				3.6	92	5	127	9.4	8.10	4.86	2.20
SKM9408SW	1"	25								14	12.10	5.02	2.27
SKM9412SW	1½"	40				4.7	121	5	127	28.3	21.60	8.92	4.04
SKM9416SW	2"	50								53	45.80	15.30	6.94
SKM9402BW	¼"	8	Butt Weld	10.6	270	2.7	68	4	102	1.7	1.47	3.31	1.50
SKM9404BW	½"	15								5	4.30	3.29	1.48
SKM9406BW	¾"	20				3.6	92	5	127	9.4	8.10	4.86	2.20
SKM9408BW	1"	25								14	12.10	5.02	2.27
SKM9412BW	1½"	40				4.7	121	5	127	28.3	21.60	8.92	4.04
SKM9416BW	2"	50								53	45.80	15.30	6.94

SW = Socket Weld; BW = Butt Weld



SKM9406BW



Stainless Steel Globe Valves for Cryogenic Service

SK Advantage Series Short Stem

Application

The SKS Series globe valves short stem are designed for handling of vapor phase and cryogenic liquids through bulk tanks, trucks, trailers, ISO-containers and piping configurations. Our time tested spring loaded stem packing and superior seat design provide for long life and easy maintenance. Recommended for vapor phase and intermittent cryogenic liquid use.

Features

- Superior Flow: Provides high Cv for rapid and reliable loading and unloading
- Designed with the unique Kold-Seal™
- Conical PCTFE Seat: provides exceptional flow; bubble tight seal; less chance of debris trapped in the seat and longer service life
- Connections: Socket Weld & Butt Weld
- Sizes: ¼" to 1½"
- Bonnet Type: Bolted
- Pressure Rating: 720 psig (50 barg)
- Temperature Rating: -320°F (-196°C) to +150°F (+65°C)
- Service: Liquefied & Vaporized Atmospheric Gases and LNG for Trailers, Bulk Tanks, Iso-Containers and Piping Configurations
- Cleaned for Oxygen Service per CGA G-4.1

Materials

Body Stainless Steel ASTM A351 CF8
 Bonnet and Tube ... Stainless Steel ASTM A351 CF8/ASTM A479 type 304
 Stem Stainless Steel ASTM A582 S30300
 Spring Stainless Steel ASTM A313 S30200
 Packing Live Loaded PTFE Packing
 Gasket PTFE 25% Glass Fill
 Seat Disc PCTFE ASTM D1430
 Seat Retainer Brass ASTM B16
 Bonnet Screws ASTM B16 C36000
 Handwheel Painted Aluminum

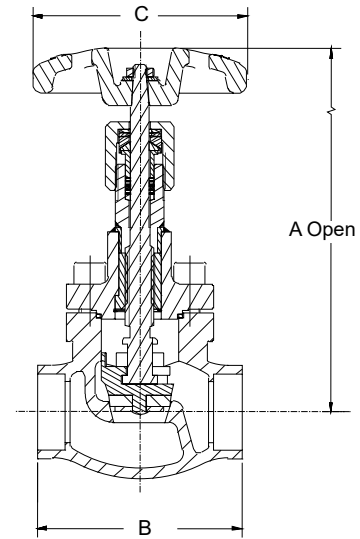
Quality / Facility Features

- Material traceability in accordance with BS EN 10204 3.1
- CE Marking per European Pressure Equipment Directive

PED Certified



SKS9406BW



Ordering Information

Part Number	Size Inches	Size DN	Connection	A Inches	A mm	B Inches	B mm	C Inches	C mm	Cv	Kv	Weight lbs	Weight kg
SKS9402SW	¼"	8	Socket Weld	6.7	170	2.7	68	4	102	1.7	1.47	2.64	1.20
SKS9404SW	½"	15								5	4.30	2.62	1.19
SKS9406SW	¾"	20								9.4	8.10	4.21	1.91
SKS9408SW	1"	25								14	12.10	4.10	1.86
SKS9412SW	1½"	40								28.3	21.60	7.16	3.25
SKS9402BW	¼"	8	Butt Weld	6.7	170	2.7	68	4	102	1.7	1.47	2.64	1.20
SKS9404BW	½"	15								5	4.30	2.62	1.19
SKS9406BW	¾"	20								9.4	8.10	4.21	1.91
SKS9408BW	1"	25								14	12.10	4.10	1.86
SKS9412BW	1½"	40								28.3	21.60	7.16	3.25

Stainless Steel Globe Valves for Cryogenic Service

SK Advantage Series Long Stem Threaded Connection

Application

The SK Advantage Series of Stainless Steel Globe Valves are designed for handling cryogenic liquids through trailer, bulk vessels and piping configurations. Ideal service medium includes oxygen, nitrogen, krypton, carbon dioxide, dinitrogen monoxide, carbon dioxide, methane, ethane, ethylene, argon and LNG. Our Kold-Seal stem seal technology assures a tight seal preventing cryogen gas loss. The conical seat design allows exceptional flow, positive shutoff and less chance of debris accumulation in the flow path, all resulting in an overall longer service life. Maintenance on the packing and seat is quick and easy.

Features

- **Soft Seat:** PCTFE material which is the most widely specified cryogenic seat material in the industry
 - **Construction:** Bolted bonnet allows easy access to the valve internals for servicing
 - **Stem Packing:** Proven Kold-Seal technology, Live Loaded PTFE
 - **Sizes:** 1/4" through 2"
 - **Connection:** Threaded NPT
 - **Service:** Liquefied and vaporized atmospheric gases, LNG
 - **Temperature Rating:** -320°F to +150°F (-198°C to +65°C)
 - **Pressure Rating:** Cold, Non-Shock, 725 psig (50 barg) Class 300 (PN 50)
- Cleaned and packaged for oxygen service per CGA G-4.1
 - **Application:** Multiple stem lengths available for selected service
 - **Packaging:** Each valve is individually bagged and boxed to arrive in factory new condition until installation

Materials

Body Stainless Steel ASTM A351 CF8
 Bonnet and Tube .. Stainless Steel ASTM A351 CF8/ASTM A479 type 304
 StemStainless Steel ASTM A582 S30300
 Spring.....Stainless Steel ASTM A313 S30200
 Packing..... Live Loaded PTFE Packing
 Gasket.....PTFE 25% Glass Fill
 Seat Disc.....PCTFE ASTM D1430
 Seat Retainer.....Brass ASTM B16
 Bonnet Screws.....ASTM B16 C36000
 Handwheel..... Painted Aluminum

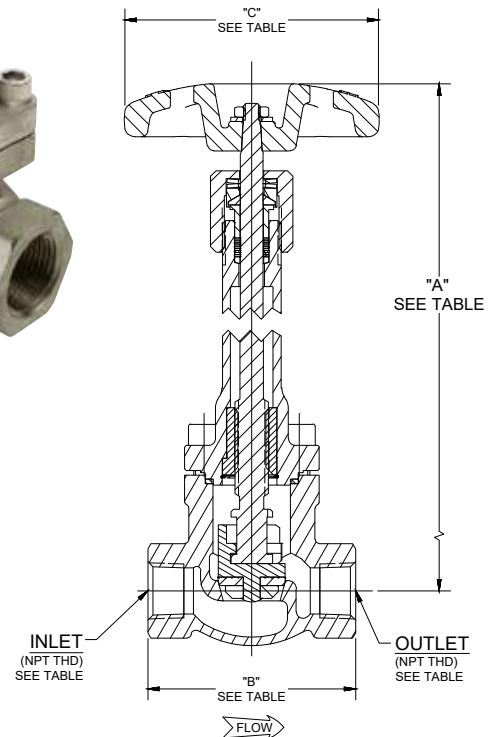
Quality / Facility Features

- Material traceability in accordance with BS EN 10204 3.1
- CE Marking per European Pressure Equipment Directive

TPED & PED Certified



SKL9408T



Ordering Information

Part Number	Size Inches	Size DN	Connection	A Inches	A mm	B Inches	B mm	C Inches	C mm	Cv	Kv	Weight lbs	Weight kg
SKL9404T	1/2"	15	Threaded NPT	14.6	370	3.09	78.48	4	102	5	4.30	3.47	1.68
SKL9408T	1"	25				3.95	100.33			14	1.16	5.34	2.42
SKL9412T	1 1/2"	40				5.00	127	5	127	28.3	21.9	9.48	4.30
SKL9416T	2"	50				5.92	150.37			53	45.8	16.3	7.39

Stainless Steel Globe Valves for Cryogenic Service

SK Advantage Series Medium Stem Threaded Connection

Application

The SK Advantage Series of Stainless Steel Globe Valves are designed for handling cryogenic liquids through trailer, bulk vessels and piping configurations. Ideal service medium includes oxygen, nitrogen, krypton, carbon dioxide, dinitrogen monoxide, carbon oxide, methane, ethane, ethylene, argon and LNG. Our Kold-Seal stem seal technology assures a tight seal preventing cryogen gas loss. The conical seat design allows exceptional flow, positive shutoff and less chance of debris accumulation in the flow path, all resulting in an overall longer service life. Maintenance on the packing and seat is quick and easy.

Features

- **Soft Seat:** PCTFE material which is the most widely specified cryogenic seat material in the industry
 - **Construction:** Bolted bonnet allows easy access to the valve internals for servicing
 - **Stem Packing:** Proven Kold-Seal technology, Live Loaded PTFE
 - **Sizes:** 1/4" through 2"
 - **Connection:** Threaded NPT
 - **Service:** Liquefied and vaporized atmospheric gases, LNG
 - **Temperature Rating:** -325°F to +150°F (-198°C to +65°C)
 - **Pressure Rating:** Cold, Non-Shock, 725 psig (50 barg) Class 300 (PN 50)
- Cleaned and packaged for oxygen service per CGA G-4.1
 - **Application:** Multiple stem lengths available for selected service
 - **Packaging:** Each valve is individually bagged and boxed to arrive in factory new condition until installation

Materials

Body Stainless Steel ASTM A351 CF8
 Bonnet and Tube .. Stainless Steel ASTM A351 CF8/ASTM A479 type 304
 Stem Stainless Steel ASTM A582 S30300
 Spring Stainless Steel ASTM A313 S30200
 Packing Live Loaded PTFE Packing
 Gasket PTFE 25% Glass Fill
 Seat Disc PCTFE ASTM D1430
 Seat Retainer Brass ASTM B16
 Bonnet Screws ASTM B16 C36000
 Handwheel Painted Aluminum

Quality / Facility Features

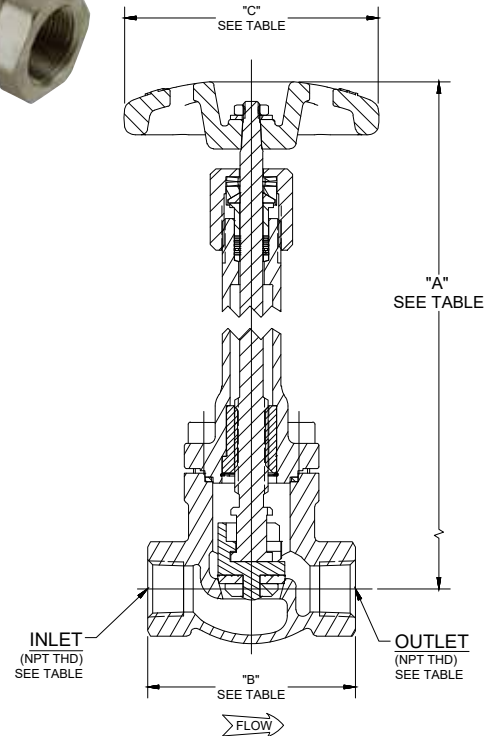
- Material traceability in accordance with BS EN 10204 3.1
- CE Marking per European Pressure Equipment Directive



TPED & PED Certified



SKM9408T



Ordering Information

Part Number	Size Inches	Size DN	Connection	A Inches	A mm	B Inches	B mm	C Inches	C mm	Cv	Kv	Weight lbs	Weight kg
SKM9404T	1/2"	15	Threaded NPT	10.6	270	3.09	78.48	4	102	5	4.30	3.29	1.48
SKM9408T	1"	25				3.95	100.33			14	12.10	5.02	2.27
SKM9412T	1 1/2"	40				5.00	127.00	5	127	28.3	21.60	8.92	4.04
SKM9416T	2"	50				5.92	150.37			53	45.80	15.30	6.94

Stainless Steel Globe Valves for Cryogenic Service

SK Advantage Series Short Stem Threaded Connection

Application

The SKS Series globe valves short stem are designed for handling of vapor phase and cryogenic liquids through bulk tanks, trucks, trailers, ISO-containers and piping configurations. Our time tested spring loaded stem packing and superior seat design provide for long life and easy maintenance. Recommended for vapor phase and intermittent cryogenic liquid use.

Features

- Superior Flow: Provides high Cv for rapid and reliable loading and unloading
- Designed with the unique Kold-Seal™
- Conical PCTFE Seat: provides exceptional flow; bubble tight seal; less chance of debris trapped in the seat and longer service life
- Connections: Socket Weld & Butt Weld
- Sizes: 1/4" to 1 1/2"
- Bonnet Type: Bolted
- Pressure Rating: 720 psig (50 barg)
- Temperature Rating: -320°F (-196°C) to +150°F (+65°C)
- Service: Liquefied & Vaporized Atmospheric Gases and LNG for Trailers, Bulk Tanks, Iso-Containers and Piping Configurations
- Cleaned for Oxygen Service per CGA G-4.1

Materials

Body	Stainless Steel ASTM A351 CF8
Bonnet and Tube ..	Stainless Steel ASTM A351 CF8/ASTMA479 type 304
Stem	Stainless Steel ASTM A582 S30300
Spring	Stainless Steel ASTM A313 S30200
Packing	Live Loaded PTFE Packing
Gasket	PTFE 25% Glass Fill
Seat Disc	PCTFE ASTM D1430
Seat Retainer	Brass ASTM B16
Bonnet Screws	ASTM B16 C36000
Handwheel	Painted Aluminum

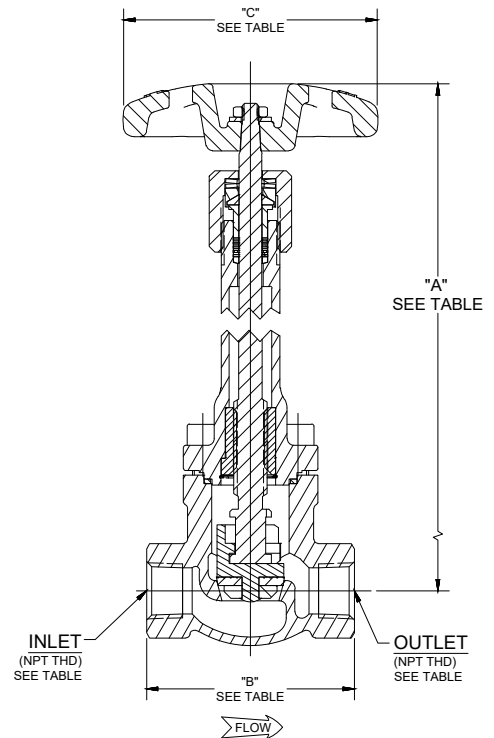
Quality / Facility Features

- Material traceability in accordance with BS EN 10204 3.1
- CE Marking per European Pressure Equipment Directive

PED Certified



SKS9408T



Ordering Information

Part Number	Size Inches	Size DN	Connection	A Inches	A mm	B Inches	B mm	C Inches	C mm	Cv	Kv	Weight lbs	Weight kg
SKS9404T	1/2"	15	Threaded NPT	6.7	170	3.09	78.48	4	102	5	4.30	2.62	1.19
SKS9408T	1"	25				3.95	100.33			14	12.10	4.10	1.86
SKS9412T	1 1/2"	40		7.0	178	5.00	127.00	5	127	28.3	21.60	7.16	3.25

Stainless Steel Globe Valves for Cryogenic Service

SK Advantage Series Long Stem, Inlet Socket Weld, Outlet Threaded NPT

Application

The SK Advantage Series of Stainless Steel Globe Valves are designed for handling cryogenic liquids through trailer, bulk vessels and piping configurations. Ideal service medium includes oxygen, nitrogen, krypton, carbon dioxide, dinitrogen monoxide, carbon dioxide, methane, ethane, ethylene, argon and LNG. Our Kold-Seal stem seal technology assures a tight seal preventing cryogen gas loss. The conical seat design allows exceptional flow, positive shutoff and less chance of debris accumulation in the flow path, all resulting in an overall longer service life. Maintenance on the packing and seat is quick and easy.

Features

- **Soft Seat:** PCTFE material which is the most widely specified cryogenic seat material in the industry
 - **Construction:** Bolted bonnet allows easy access to the valve internals for servicing
 - **Stem Packing:** Proven Kold-Seal technology, Live Loaded PTFE
 - **Sizes:** 1/4" through 2"
 - **Connection:** Threaded NPT
 - **Service:** Liquefied and vaporized atmospheric gases, LNG
 - **Temperature Rating:** -320°F to +150°F (-198°C to +65°C)
 - **Pressure Rating:** Cold, Non-Shock, 725 psig (50 barg) Class 300 (PN 50)
- Cleaned and packaged for oxygen service per CGA G-4.1
 - **Application:** Multiple stem lengths available for selected service
 - **Packaging:** Each valve is individually bagged and boxed to arrive in factory new condition until installation

Materials

Body Stainless Steel ASTM A351 CF8
 Bonnet and Tube .. Stainless Steel ASTM A351 CF8/ASTM A479 type 304
 StemStainless Steel ASTM A582 S30300
 Spring.....Stainless Steel ASTM A313 S30200
 Packing..... Live Loaded PTFE Packing
 Gasket.....PTFE 25% Glass Fill
 Seat Disc.....PCTFE ASTM D1430
 Seat Retainer.....Brass ASTM B16
 Bonnet Screws.....ASTM B16 C36000
 Handwheel..... Painted Aluminum

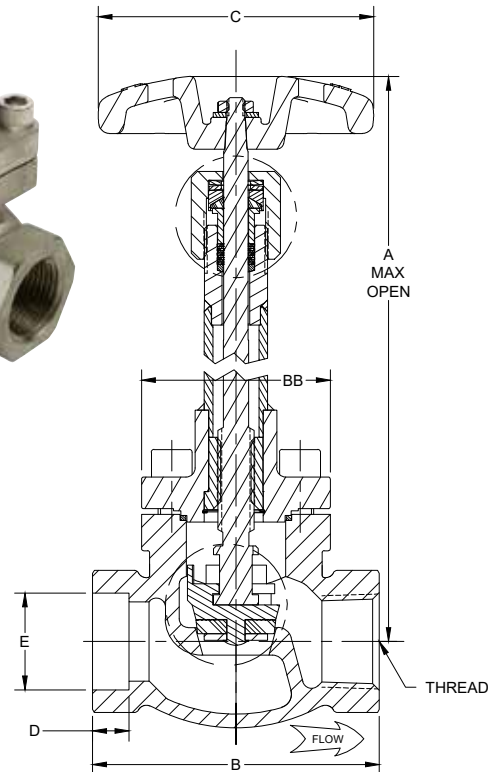
Quality / Facility Features

- Material traceability in accordance with BS EN 10204 3.1
- CE Marking per European Pressure Equipment Directive

TPED & PED Certified



SKL9408ST



Ordering Information

Part Number	Size Inches	Size DN	Connection		A Inches	A mm	B Inches	B mm	C Inches	C mm	Cv	Kv	Weight lbs	Weight kg
			Inlet	Outlet										
SKL9404ST	1/2"	15	Socket Weld	Threaded NPT	14.6	370	3.09	78.48	4	102	5	4.30	3.47	1.68
SKL9408ST	1"	25					3.95	100.33			14	1.16	5.34	2.42
SKL9412ST	1 1/2"	40					5.00	127			28.3	21.9	9.48	4.30
SKL9416ST	2"	50			14.5	368	5.92	150.37	53	45.8	16.3	7.39		

Stainless Steel Globe Valves for Cryogenic Service

SK Advantage Series Short Stem, Inlet Socket Weld, Outlet Threaded NPT

Application

The SKS Series globe valves short stem are designed for handling of vapor phase and cryogenic liquids through bulk tanks, trucks, trailers, ISO-containers and piping configurations. Our time tested spring loaded stem packing and superior seat design provide for long life and easy maintenance. Recommended for vapor phase and intermittent cryogenic liquid use.

Features

- Superior Flow: Provides high Cv for rapid and reliable loading and unloading
- Designed with the unique Kold-Seal™
- Conical PCTFE Seat: provides exceptional flow; bubble tight seal; less chance of debris trapped in the seat and longer service life
- Connections: Socket Weld & Butt Weld
- Sizes: ¼" to 1½"
- Bonnet Type: Bolted
- Pressure Rating: 720 psig (50 barg)
- Temperature Rating: -320°F (-196°C) to +150°F (+65°C)
- Service: Liquefied & Vaporized Atmospheric Gases and LNG for Trailers, Bulk Tanks, Iso-Containers and Piping Configurations
- Cleaned for Oxygen Service per CGA G-4.1

Materials

Body	Stainless Steel ASTM A351 CF8
Bonnet and Tube ..	Stainless Steel ASTM A351 CF8/ASTM A479 type 304
Stem	Stainless Steel ASTM A582 S30300
Spring	Stainless Steel ASTM A313 S30200
Packing	Live Loaded PTFE Packing
Gasket	PTFE 25% Glass Fill
Seat Disc	PCTFE ASTM D1430
Seat Retainer	Brass ASTM B16
Bonnet Screws	ASTM B16 C36000
Handwheel	Painted Aluminum

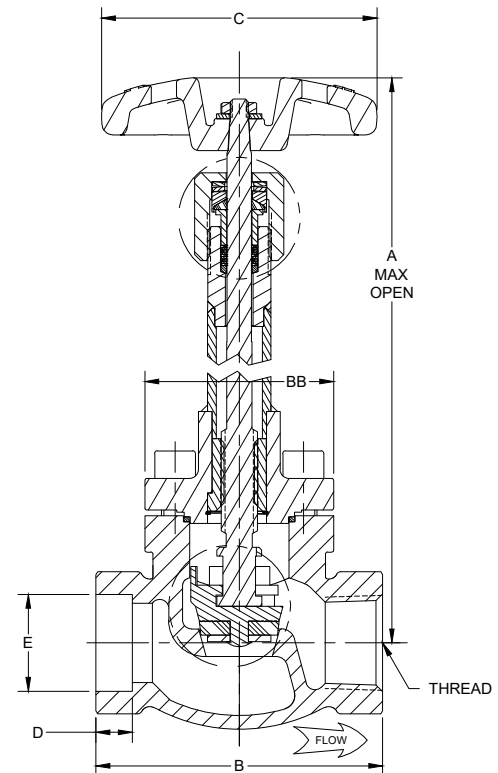
Quality / Facility Features

- Material traceability in accordance with BS EN 10204 3.1
- CE Marking per European Pressure Equipment Directive

PED Certified



SKS9408T



Ordering Information

Part Number	Size Inches	Size DN	Connection		A Inches	A mm	B Inches	B mm	C Inches	C mm	Cv	Kv	Weight lbs	Weight kg
			Inlet	Outlet										
SKS9404ST	½"	15	Socket Weld	Threaded NPT	6.7	170	3.09	78.48	4	102	5	4.30	2.62	1.19
SKS9408ST	1"	25					3.95	100.33			14	12.10	4.10	1.86
SKS9412ST	1½"	40			7.0	178	5.00	127.00	5	127	28.3	21.60	7.16	3.25