

Needle Valves

CMM250 Series and CFF250 Series

Application

Ideal for use as a gauge isolation valve or applications requiring accurate throttling of pressure or in bulk vessel gauging lines .

Features

- Compact design provides easy installation
- Fine stem threading and long taper allow precise metering and leak-free shut-off
- Internal stop prevents the stem from being accidentally unscrewed from the body
- Rugged forged brass bodies withstand higher pressures
- Unbreakable brass handwheel
- Valves come equipped for panel mounting
- Working temperature range is -40°F to +165°F (-40°C to +74°C)
- Maximum operating pressure: 2000 psig air (137.9 barg)
- Cleaned for oxygen service per CGA G-4.1
- Female ports available - consult factory

Materials

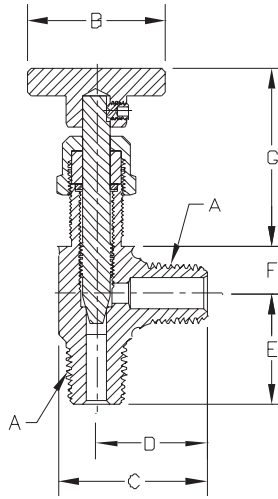
Body	ASTM B283 Brass
Stem	Brass
Knob	Brass
Bonnet Nut.....	Brass
Panel Mount Nut (Optional).....	Brass
Set Screw	Steel
Stem Packing	PTFE with Brass Gland



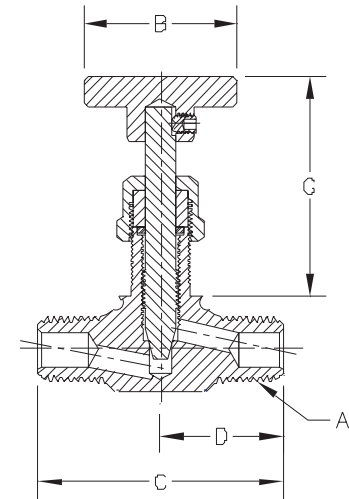
CMM250A



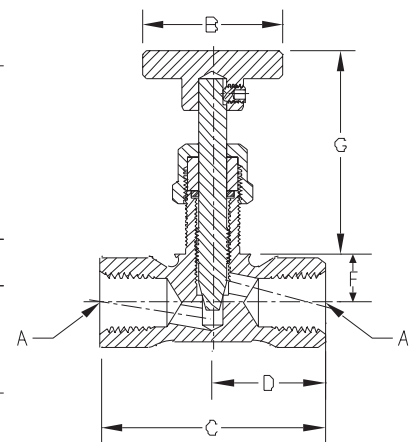
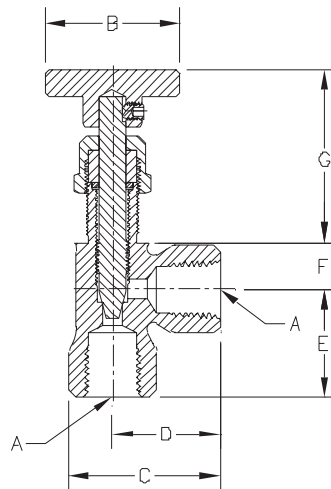
CMM250G



CFF250A



CFF250G



Ordering Information

Part Number	A (NPT)		B		C		D		E		F		G Open		G Closed		C _v (Kv)
	Inches	DN	Inches	mm	Inches	mm	Inches	mm	Inches	mm	Inches	mm	Inches	mm	Inches	mm	
CMM250A	1/4	8	1 1/4	32	1 11/32	35	1	25	1	25	7/16	11	2 5/32	29	1 19/32	40	.7 (0.60)
CMM250G					2	51			-	-			2 3/8	60	1 13/16	46	.5 (0.43)
CFF250A					1	25			2 5/32	55			1 19/32	40	.7 (0.60)		
CFF250G					-	-			2	51			2 3/8	60	1 13/16	46	.5 (0.43)