

RegO® Stainless Steel Relief Device Diverter (3-Way) Valve DV4108SD Series for PRVs

Application

The DV4108SD04 Diverter Valve Series provides a lightweight, simplified solution for the isolation of pressure relief valves during testing and change out of pressure relief valves and burst discs without requiring evacuation of the vessel and guaranteeing that one port will be available to work during the operation. This all stainless steel diverter valve is ideal for use with oxygen, nitrogen, krypton, carbon dioxide, nitrous oxide, dinitrogen monoxide, carbon oxide, methane, ethane, ethylene, argon, and LNG.

The DV4108SD04 has the inlet port in the upper position for the easy installation of the Micro-Bulk's relief pressure line, and the four-outlet port oriented at down position to avoid the humidity going into the PRVs and guarantee proper operation.

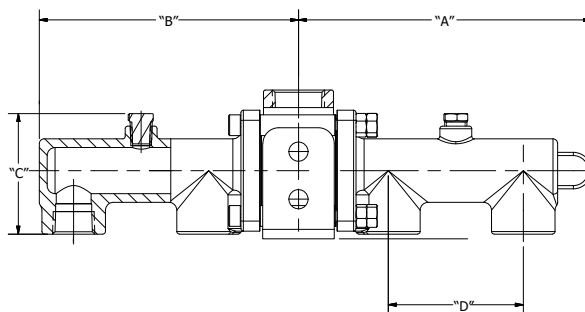
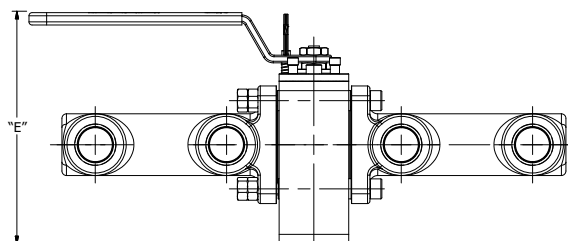
PED Certified 

Materials

Body 316 Stainless Steel ASTM A351-CF-8M (DIN 1.4408)
 Ball.....316L Stainless Steel ASTM A276 (DIN 1.4006)
 SeatDyneon TFM 1600
 End caps.....304 Stainless Steel ASTM A743 (DIN 1.4027)
 Wave springs.....Stainless Steel ASTM A313 (DIN 1.4544)
 Wave spring washers 304 Stainless Steel ASTM A182 (DIN 1.5415)
 Packing..... Live Loaded PTFE
 Stem316L Stainless Steel ASTM A276 (DIN 1.4006)
 Lever.....304 Stainless Steel ASTM A182 (DIN 1.5415)
 Bracket304 Stainless Steel ASTM A182 (DIN 1.5415)



DV4108SD04



Ordering Information

| Part Number | Inlet Inches (mm) | Outlet Inches (mm) | End Connection Type | Outlet Port Orientation | Bleeder Port Orientation | A Inches (mm) | B Inches (mm) | C Inches (mm) | D Inches (mm) | E Inches (mm) | Open Port | Cv (Kv) |
|-------------|-------------------|--------------------|---------------------|--------------------------------|-----------------------------|---------------|---------------|---------------|---------------|---------------|-------------|-------------|
| DV4108SD04 | 1" (DN25) | ½ (DN15) | Thread NPTF | 4 ports, all opposite of inlet | ¼" NFPT, same side as inlet | 7.29 (185) | 6.42 (163) | 2.98 (76) | 3.34 (85) | 5.90 (150) | One Side | 12.0 (10.4) |
| | | Both Side | | | | | | | | | 21.7 (18.8) | |
| DV4108SD06 | | ¾" (DN20) | | | | | | | | | One Side | 13.3 (11.5) |
| DV4108SD08 | 1" (DN25) | 1" (DN25) | | | | | | | | | One Side | 16.0 (13.8) |
| | | | | | | | | | | | Both Side | 25.3 (21.9) |

Other outlet port orientation options available; please contact your Sales representative with inquiries.