

ASME Multivalves® for Vapor Withdrawal G8475RL Series Valves with Presto-Tap PG8475, PT7556 Series Valves

Application

These Multivalves® are designed for use in single opening ASME containers equipped with a 2½" M. NPT riser. They can be used with underground ASME containers up to 639 sq. ft. surface area, and above ground ASME containers up to 192 sq. ft. surface area. A separate opening is required for liquid withdrawal. The MultiBonnet® assembly is standard on this valve.

Features

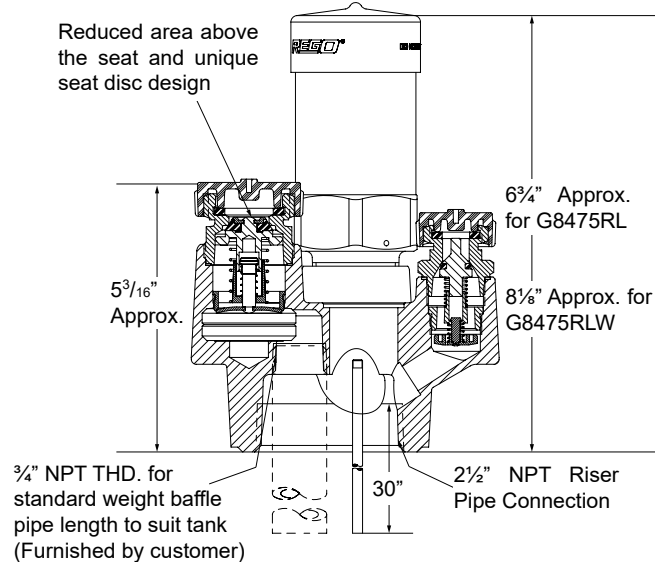
- The most complete Multivalve® assembly in the LP-Gas industry.
- Combines low emission double back check filler valve, vapor equalizing valve, pressure relief valve, service valve, fixed liquid level gauge, "junior" sized float gauge flange opening and a plugged pressure gauge opening.
- Double back check filler valve is low emission, 2.13cc at disconnection with no reduction in fill rates.
- **Designed for installation of a ½" FNPT pressure gauge or pressure gauge connection. The pressure test port will communicate to the downstream side of the service valve.**
- **PG8475RL Version: With the service valve closed the pressure test/Presto-Tap® port is isolated from the container.** This will allow a high pressure leak test to be conducted without disconnecting the pigtail from the service valve. For more information see page C12.
- Vapor equalizing valve with excess flow has increased capacity matched to the filler valve.
- Internal threads accommodate 2½" M. NPT riser pipe connection and a ¾" F. NPT connection for a customer furnished liquid baffle tube.
- The MultiBonnet® assembly allows quick and easy repair of bonnet.

Materials

Body	Forged Brass
Handwheel.....	Aluminum Die Cast
Valve Stems.....	Brass
O-Rings	Resilient Rubber
Seat Disc (shut-off valve)	Nylon
Seat Disc (other).....	Resilient Rubber
Relief Spring.....	Stainless Steel



PG8575RL



Part Number	Approximate Filling Rate Liquid Flow, GPM			
	Pressure Drop Across Valve			
	10 PSIG	25 PSIG	50 PSIG	100 PSIG
G8475RL				
G8475RLW	42	72	98	125
PG8475RL				

Ordering Information

Part Number	Container Connection	Service Connection	Filling Connection	Relief Valve Height	Vapor Equalizing Connection		Float Gauge Flange Opening	Fixed Liquid Level Vent Valve	Dip Tube Length	Setting	Pressure Relief Valve		Ready To Go™
					Size	UL Listed Closing Flow					Part Number	Flow Capacity	
G8475RL	2½" F. NPT	F. POL (CGA 510)	1¾" M. ACME	6¾"	1¾" M. ACME	4200 CFH @ 100 PSIG	Fits "JUNIOR" size	Yes	30**	250 PSIG	M3131G	1939 SCFM, air	Plugged
**DG8475RL													Yes
PG8475RL													
**DP8475RL													
*G8475RLW											8½"		

*Dip tube not installed, may be cut by customer to desired length.
 ** 72 Orifice low emission version is also available.