

Dielectric Low Pressure Second Stage Regulators - Standard Settings

LV5503BD Series

Application

Designed to reduce first stage pressure of 5 to 20 PSIG down to burner pressure, normally 11" w.c. Ideal for larger commercial and industrial applications, multiple cylinder installations and large domestic systems.

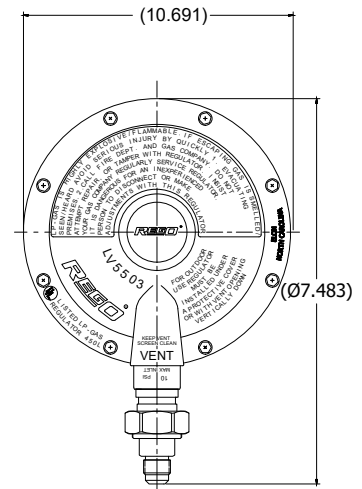
RegO Dielectric second stage regulators are engineered to isolate potential electrical current from metallic piping before entering a building. The use of a separate dielectric union is not necessary because the regulator contains a dielectric union as part of the inlet assembly. Available in both SAE Flare and F.NPT inlet connection.

Features

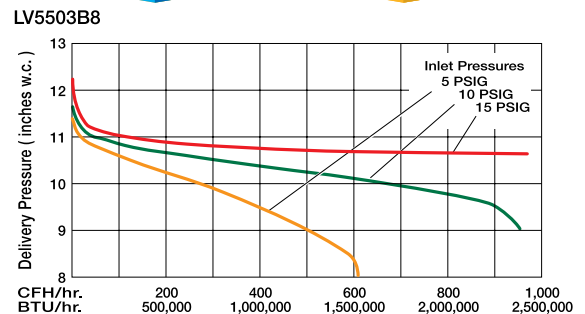
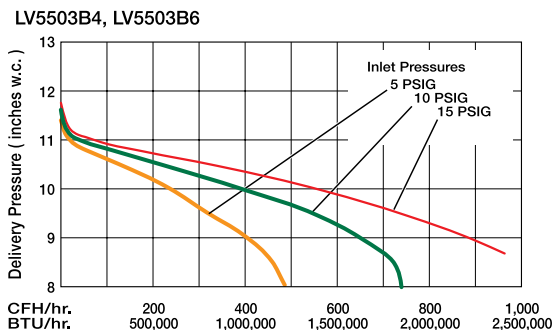
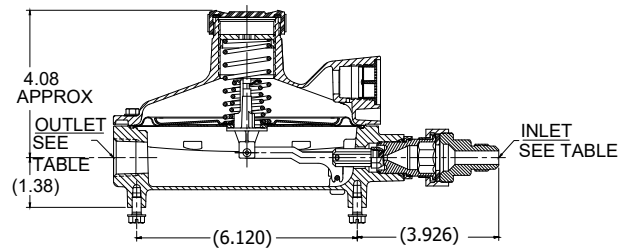
- Incorporates integral relief valve.
- With 15 PSIG inlet pressure, regulator is designed to not pass more than 2 PSIG with the seat disc removed.
- Replaceable valve orifice and valve seat disc.
- Straight line valve closure saves wear on seat disc and orifice.
- Built in pressure tap has plugged 1/8" F.NPT outlet. Plug can be removed with a 3/16" hex allen wrench.
- Large bonnet vent profile minimizes vent freeze over when properly installed.
- Extra long lever arm for uniform delivery pressure.
- Large diaphragm is extra sensitive to pressure changes.

Materials

Body (LV5503BD Series) Die Cast Aluminum
 Bonnet (LV5503BD Series) Die Cast Aluminum
 Nozzle Orifice Brass
 Spring Steel
 Valve Seat Disc Resilient Rubber
 Diaphragm Integrated Fabric and Synthetic Rubber



LV5503BD Series



Ordering Information

Part Number	Inlet Connection	Outlet Connection	Orifice Size	Factory Delivery Pressure	Adjustment Range	Bonnet Vent Position	Vapor Capacity BTU/hr. Propane	
LV5503B4D	1/2" F. NPT	3/4" F. NPT	1/4"	11" w.c. at 10 PSIG Inlet	9" - 13" w.c.	Over Inlet	1,600,000	
LV5503B6D	3/4" F. NPT							1" F. NPT
LV5503B8D		1/2" M. Flare	3/4" F. NPT					
LV5503B1D	5/8" M. Flare	1/2" M. Flare	1" M. NPT				9/32"	
LV5503B5D	1/2" M. Flare							
LV5503B16D	1/2" F. NPT							

Maximum flow is based on 10 PSIG inlet and 9" w.c. delivery pressure.