

# Lever Operated Hose End Adapter for Fork Lift Cylinder Filling 7193K-10B

## Application

Designed to drastically reduce labor and time when continuously filling large numbers of lift truck cylinders equipped with RegO 7141M check connectors.

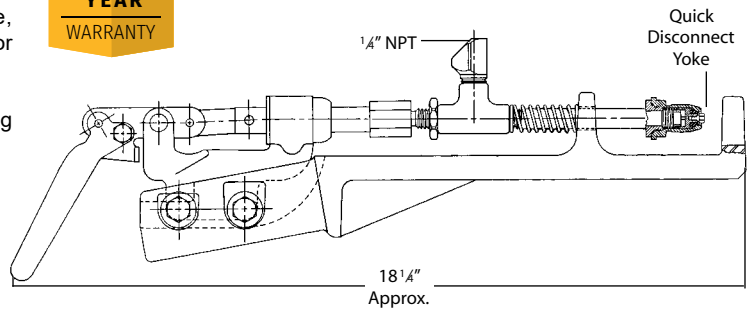
Rapid make-up is accomplished by simply slipping the adapter yoke behind the hex wrenching section of the 7141M connector and depressing the lever. When the cylinder is filled, the adapter is easily disengaged by releasing the operating lever. When connected, back checks in the adapter and connector automatically open. An integral check closes when disconnected, eliminating the need to close any valves manually on the filling manifold to disconnect the charging hose. The shut-off valve on the container must be closed after filling.

Because a leak-tight seal is formed before the checks close, product loss is kept to an absolute minimum when connecting or disconnecting the loading hose.

The 7193K-10B is intended to be permanently attached to the filling hose.



7193K-10B



## Ordering Information

Part Number	Application	Inlet Connection	Outlet Connection	Materials
7193K-10B	Lever Operated for Quick Filling of Fork Lift Cylinders	1/4" F. NPT	Quick Disconnect Yoke*	Brass and Steel

\* For use with RegO 7141M check connector.