

3/4" M.LACMEX 2" M.NPT Adapter with Vent Valve & Integral Screen 5769HVB

Application

Designed to prevent debris from impeding the action of valves and components of LPG piping systems at bulk plants and industrial plants.



Features

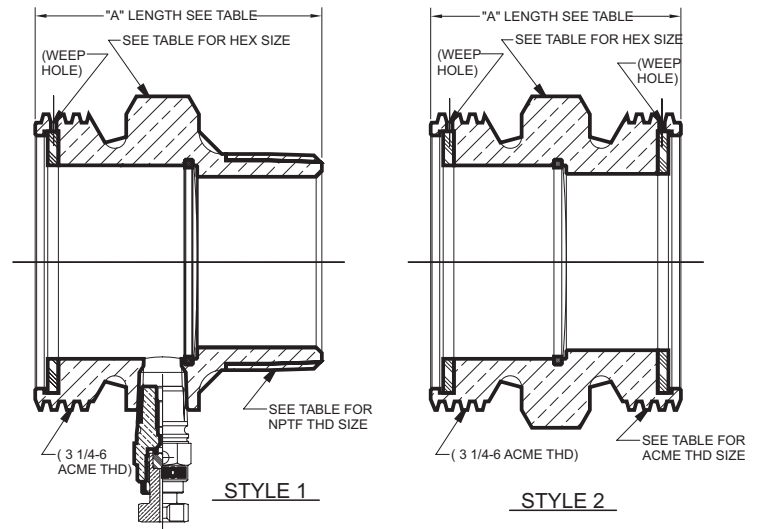
- Meets NFPA 58 requirements for liquid transfer
- Stainless steel screen
- Vent valve available in brass or stainless steel



5769HVB

Materials

Body Brass
 Screen Stainless Steel
 Gasket Resilient Rubber



Ordering Information

| Part Number | Style | Gasket Qty | Vent Valve | Hex Size | Thread | "A" Length |
|-------------|-------|------------|------------|-----------|----------|------------|
| 5769H | 1 | 1 | - | 3/4" | 2" M.NPT | 2.875 |
| 5769K | 1 | 1 | | 3/2" | 3" M.NPT | 3.625 |
| 5769M | 2 | 2 | | 3/4" ACME | 2.750 | |
| 5769HVB | 1 | 1 | 3165CBT | 3/4" | 2" M.NPT | 3.150 |
| 5768HVSS | 1 | 1 | TSS3169 | | | 3.150 |