

3" Flanged Internal Valves for Bobtail Delivery Trucks, Transports and Large Stationary Storage Containers TA3217

Application

Designed primarily for CO₂ filling and/or withdrawal on bobtail delivery trucks, transports and stationary storage tanks with flanged pumps or piping. Installation is quick and easy, and the valve may be operated manually by cable or pneumatically. Lever available on right or left side to allow for installation without the use of an extra pulley.

Features

Provides More Efficient Operation

- Flow passages designed to allow substantially higher flow without cavitation or loss of efficiency--saving time and money
- Simple operating lever facilitates easy adaptation of all cable controls
- Lever available on right or left side to allow for installation without the use of an extra pulley
- Nylon bearing supported operating shaft provides smooth, easy operation

Less Frequent-Easier Maintenance

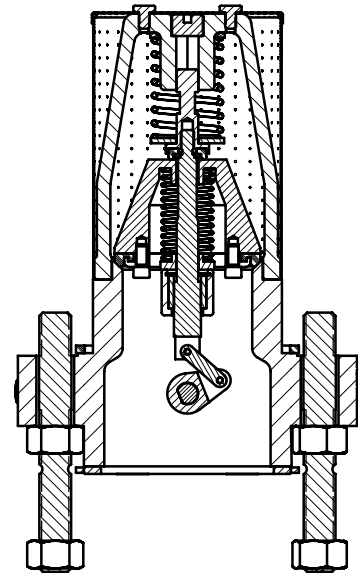
- Stainless steel screws resist rusting and are easily removed during valve disassembly
- Heavy duty rod wiper helps minimize dirt and foreign material from entering operating shaft and hampering operation

Durable Construction

- Cadmium plating helps resist corrosion during storage and use
- All ferrous materials with a temperature range of -40° F. to +165° F. (-40°C to +74°C) and a pressure rating of 400 psig (28 barg)
- Sturdy retaining ring secures operating cam to provide for more durable, slack-free operation
- Built-in excess flow valve
- Specify RegO Internal Valves on your next new tank or when your truck is rebuilt



TA3217



Ordering Information

Part Number		Operating Lever Position	Inlet Connection	Outlet Connection	Closing Flow GPM	Accessories	
						Pneumatic Actuator	
					CO ₂	Right Operation	Left Operation
TA3217AR410	TA3217AL410	Right or Left	3" 300# ANSI RF Modified Flange*	3" 300# ANSI RF Flange	410	A3217RA	A3217LA

* Valve supplied with 16 nuts and 8 studs for mounting.

