

Cryogenic 1/2" Combination Pressure Builder/Economizer for Bulk Vessels CB504



Application

CB504 series regulators maintain the pressure of cryogenic liquid within bulk vessels combining the pressure building and economizer function in one unit, with 1/2" NPT inlet and outlet.

Features

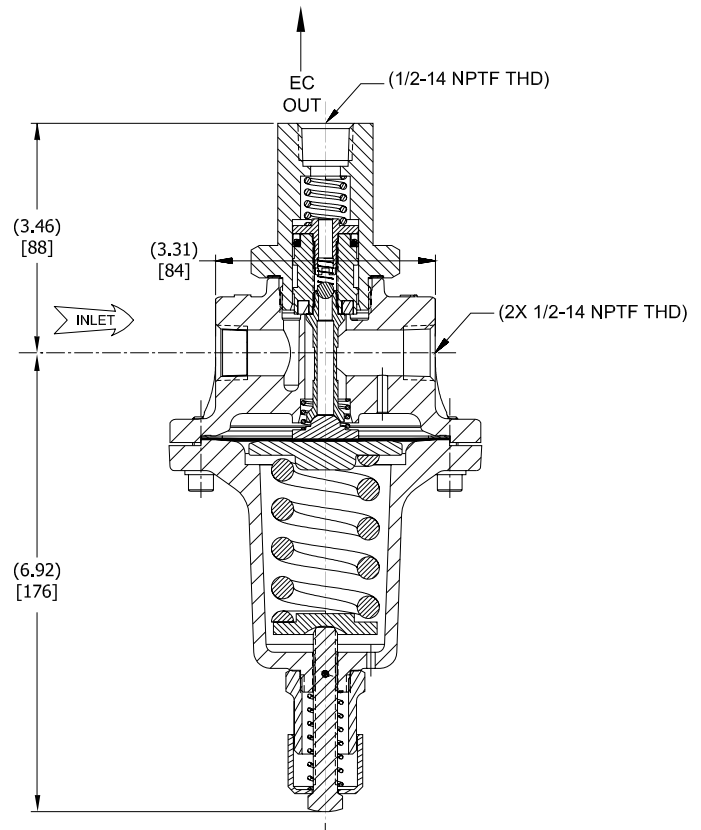
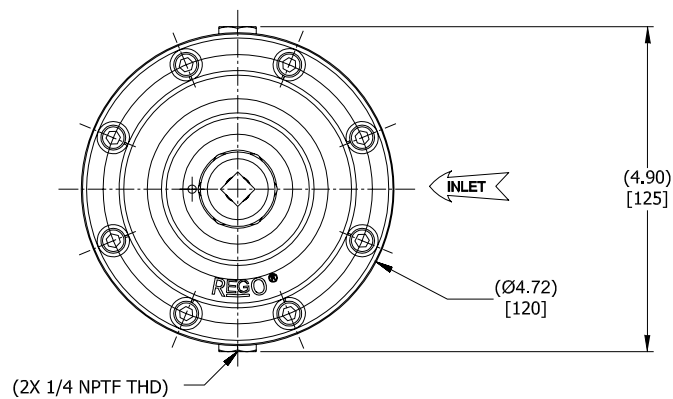
- All parts are copper alloy (brass), PTFE, and stainless steel—materials selected specifically for compatibility with cryogenic temperatures down to -320°F. (-196°C)
- Pressure setting scale on bonnet cap aids in pressure adjustment
- Maximum inlet pressure of 400 psig (27.6 barg)
- PTFE seat provides positive shut off at cryogenic temperatures
- Compact design fits well in tight plumbing geometries
- 100% factory tested
- Cleaned per CGA G-4.1 for oxygen service
- Suitable for argon, CO2, nitrogen, oxygen and LNG



CB504

Materials

Body	Brass
Bonnet	Brass
Spring	Stainless Steel
Diaphragm Gasket	PTFE
Diaphragm	Phosphor Bronze
Seat	PTFE
Backcap Gasket	Copper



Ordering Information

Part Number	Inlet/Outlet Connections (F.NPT) Inches (mm)	Operating Range (psig)
CB504B	1/2" (12.70)	100-200 psig (6.9-13.8 barg)