

# Cryogenic Economizers

## ECL502 Series



### Application

ECL502 series cryogenic economizers are designed to be used as pressure reducing valves to automatically maintain a constant inlet or back pressure, normally closed at pressures below its set point and open at pressures above its set point. The ECL502 is primarily designed to assist in maintaining a desired system pressure ideal for Nitrogen, Oxygen, Argon and other cryogenic cylinder applications with a 100% performance improvement over RegO's ECLXXX series. ECL502 series offers outstanding performance for maintaining LNG fuel line pressure.

### Features

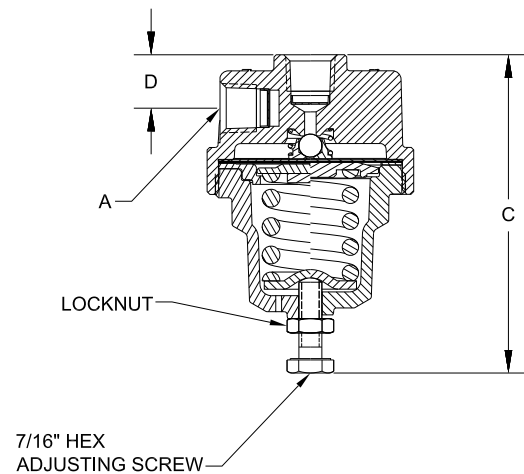
- ECL502 series design provides premium flow characteristics allowing for fast pressure reduction while maintaining sensitive flow control at lower pressure settings
- All materials of construction- copper alloy, PTFE and stainless steel were selected for compatibility with cryogenic service
- 150 count mesh Monel screens installed into the inlet and outlet ports prevent debris from entering or damaging any downstream components
- Interchangeable with existing cryogenic economizer units.
- Bi-directional flow for LNG fuel systems
- Temperature range: -320°F to +165°F (-196°C to +74°C)  
Low Pressure Models ≤175: 375 psig (≤ 12,1: 25.3 barg)  
High Pressure Models >175: 550 psig (> 12,1: 37.9 barg)
- Pressure setting range: 10-350 psig (0.7-24.1 barg)
- Clean for oxygen service per CGA G-4.1
- Designed in accordance with UNECE.R110 19 - 340 psig (1.3 -23.4 barg)

### Materials

Body .....	Brass
Diaphragm Liner .....	PTFE
Poppet Seat .....	Stainless Steel
Adjusting Screw .....	Stainless Steel
Bonnet .....	Brass
Screen .....	Monel
Diaphragm .....	Bronze
Springs .....	Stainless Steel



**ECL Series**



### Ordering Information

Part Number	Inlet / Outlet Connections (F.NPT) A	Max inlet pressure	Width B	C	D	Operating Range
<a href="#">ECL502-22</a>	¼" NPT	235 psig (16 barg)	2.25" 57 mm	3.5" 89 mm	.58" 15 mm	10-60 psig (0.7 - 4.1 barg)
<a href="#">ECL502-100</a>						50 - 175 psig (3.4 - 12.1 barg)
<a href="#">ECL502-123</a>						
<a href="#">ECL502-140</a>						
<a href="#">ECL502-175</a>		150 - 350 psig (10.3 - 24.1 barg)				
<a href="#">ECL502-325</a>	550 psig (38 barg)					

\*Contact sales representative for additional settings.