

Shut-off Valve with Tubing Connections T9464CCAG

Application

Short stem valves are designed for use on LNG fueling systems to provide reliable performance at cryogenic temperatures.

Features

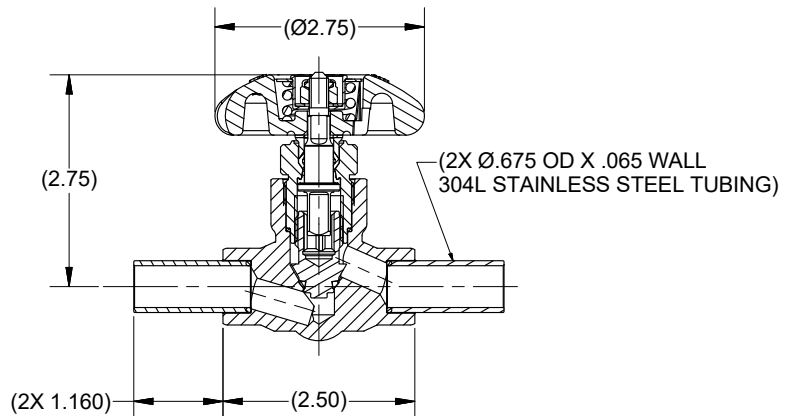
- Spring-loaded stem seal automatically adjusts for any gasket wear, eliminating the need to constantly retighten the packing nut
- Non-rising stem and low profile allow the valve to fit into tight areas of LNG fueling systems and still provide easy access
- Unique pressure-sealed moisture barrier helps prevent freeze-up at cryogenic temperatures
- Conical swivel seal design helps prevent seat galling from over-torquing
- Maximum working pressure is 600 psig (41.4 barg)
- Working temperature range is -320°F to +165°F (-196°C to +74°C)
- Designed in accordance with & approved by ECE R110
- 100% factory tested

Materials

Tube Stainless Steel
 Body Brass
 Bonnet Brass
 Seat CTFE
 Gasket PTFE
 Handwheel Aluminum
 Spring Stainless Steel
 Stem Brass



T9464CCAG



Ordering Information

Part Number	Inlet/Outlet Connections	Handwheel	C _v Factor for Gaseous Flow	C _v Factor for Liquid Flow
T9464CCAG	0.675" Tubing	Green	1.08	1.79