

3/4" & 1" Swing-Check ESV For Small Pipe Installations. A6006 & A6008 Series

Application

The A6006 & A6008 series are designed for installation in liquid transfer lines at LP-Gas fueling stations or other small pipe installations. The new valves provide for quick shut-off of flow in the event of an accidental line break, or hose rupture. These ESVs also utilize a thermal fuse assembly that will shut-off flow in case of fire.

Features

Meets NFPA 58 and UL requirements

- Fusible Element is located in the thermal fuse assembly, which acts at the latch open and close trigger. When exposed to fire, the element melts at 212° F, allowing the shaft to return to the closed position.
- Valve can be opened by use of operating lever. If a pneumatic open/close or rotary actuator is used, it will open the actuator.
- Valve can be closed by remote cable or pneumatic actuator.
- Valve can be closed by simply pushing the operating lever down; it is not necessary to trip the close trigger.

Sturdy Rugged Construction

- Will withstand hydraulic shock of sudden closings, piping strains, and temperature variations.
- Valve has only two moving parts, stem and close/thermal trigger.
- A6006 and A6008 are UL listed for use in LP-Gas and NH3 as an emergency and operating shut-off valve.
- Stem seals are spring loaded for leak free performance at low temperatures/pressures.
- Seat Disc is retained by a metal seat to minimize leakage in case of direct fire impingement.
- Quick closing regardless if the pump is running or not.

Materials

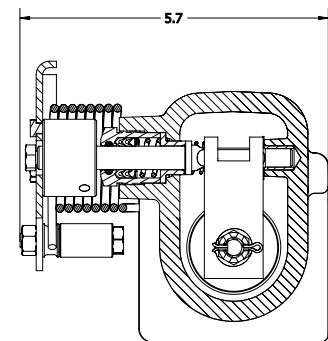
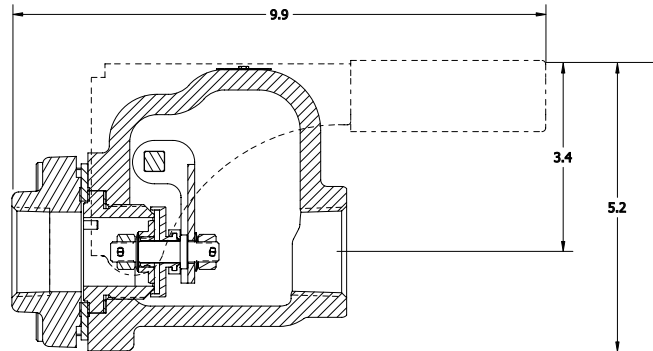
Body Ductile Iron Clad Plated
 Stem Stainless Steel
 Seat Stainless Steel
 Seat Disc Synthetic Rubber (AA6006 & AA6008 only)
 Springs Stainless Steel
 Packing Teflon



A6006



A6008



Ordering Information

Part Number	Seat	Inlet and Outlet Connections	Accessories			Liquid Flow Capacity @ 10 PSIG Pressure Drop (GPM)
			Remote Pneumatic Close	Remote Pneumatic Open/Close	Rotary Actuator	
A6006	Buna-N	3/4" F. NPT	6016-60D	6016-60C	6016RA	54 (LP-Gas) 49 (NH3)
A6008		1" F. NPT				120 (LP-Gas) 108 (NH3)