

Pressure Relief Valve with Check Device

RTG2831 Series *For Use Outside the United States

Application

These external valves are designed for use as a primary relief valve on above ground domestic LPG DOT containers. The Check Device (isolation valve) permits the exchange of the relief valve without the necessity of evacuating the container.

Features

- Relief valves provide “pop action” performance
- Weep hole is incorporated on the connection thread, which indicates the check is closed and the valve may be removed.
- A metal to metal make up on the check device allows for a “signal flow” of gas to act as a reminder that the container is unprotected when the valve is removed.
- Complies with Standard CGA S-1.1

Materials

PRV

Body Brass
 Spring Steel
 Stem Stainless Steel
 Seat Disc Resilient Rubber

Check Device

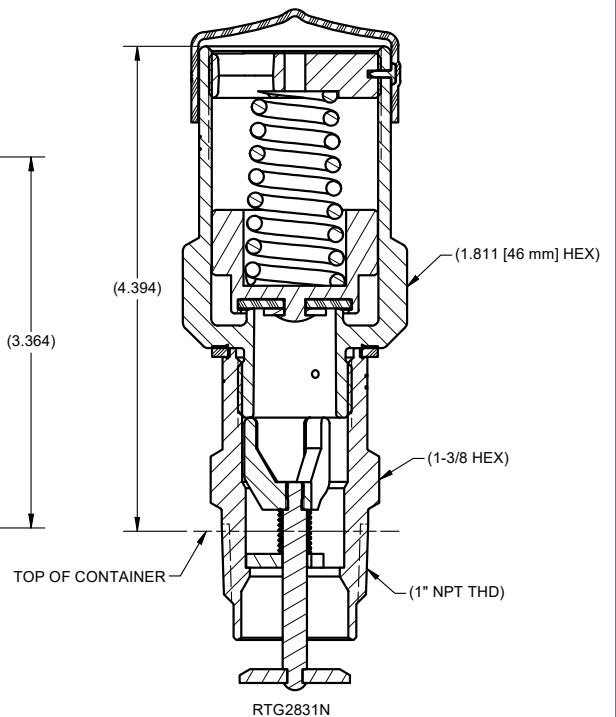
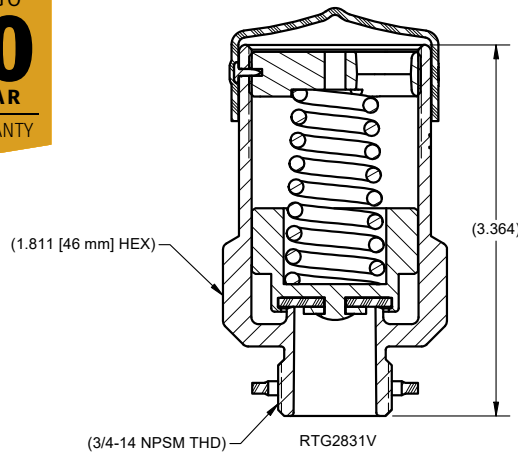
Body Brass
 Stem Brass



RTG2831N375



RTG2831V375



Ordering Information

Part Number	Includes Check Device	Includes Seat	Check Device Inlet Connection	Check Device Outlet Connection	Relief Valve Inlet Connection	Relief Valve Pressure Setting	Relief Valve Flow Rating (SCFM)	Relief Valve Flow Rating (M ³ /min)
RTG2831N375	Yes	Yes	1"-11.5 NPTF THD	3/4-14 NPSM-2B THD	3/4-14 NPSM-2A THD	375 PSI	2267.91	64.22
RTG2831V375	No							