

Second Stage Backmount Regulators for 2 PSI Systems LV4403Y66 and LV4403Y66R Series

Application

Designed to reduce first stage pressure of 10 PSIG down to 2 PSIG. A line pressure regulator is required downstream to reduce the 2 PSIG to a nominal 11" w.c.

Features

- Large vent helps prevent blockage and has 3/4" F.NPT for vent piping.
- With 15 PSIG inlet pressure, regulator is designed to not pass more than 5 PSIG with the seat disc removed.
- Incorporates an integral relief valve.
- Replaceable valve orifice and valve seat disc.
- Straight line valve closure reduces wear on seat disc.
- Unique bonnet vent profile minimizes vent freeze over when properly installed.
- Large molded diaphragm is extra sensitive to pressure changes.
- Built in pressure tap has plugged 1/8" F.NPT outlet. Plug can be removed with a standard 7/16" wrench.
- Select blue finish.

*Backmount Design

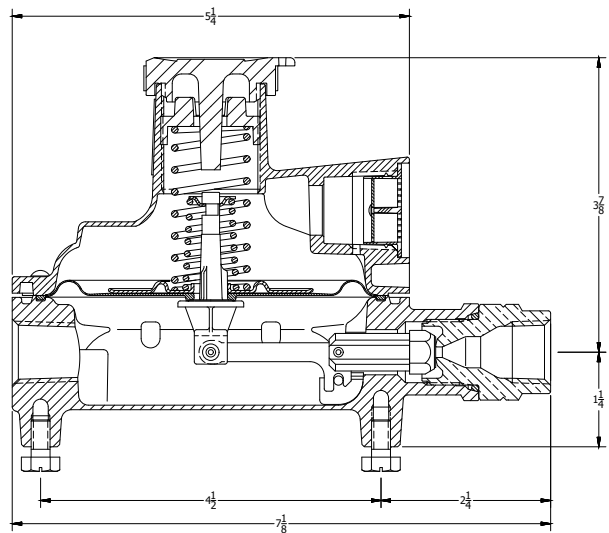
Mounts directly to house line piping. Eliminates need for union joints, elbows, and mounting brackets. Quick and easy to install.

Materials

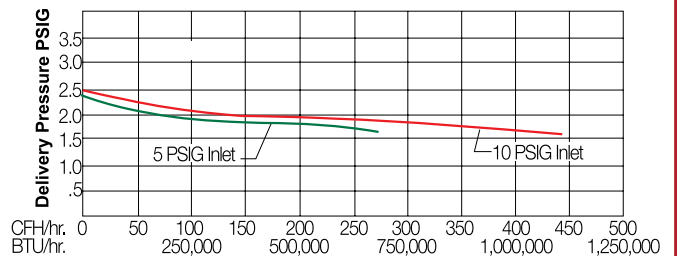
Body Die Cast Zinc
 Bonnet Die Cast Zinc
 Nozzle Orifice Brass
 Spring Steel
 Valve Seat Disc Resilient Rubber
 Diaphragm Integrated Fabric and Synthetic Rubber



LV4403Y66



LV4403Y66 LV4403Y66R



Ordering Information

Part Number	Inlet Connection	Outlet Connection	Orifice Size	Factory Delivery Pressure		Adjustment Range	Bonnet Vent Position	Vapor Capacity BTU/hr. Propane**
				psig	bar			
LV4403Y66	3/4" F. NPT	3/4" F. NPT	1/4"	2 psig at 2	0.138 bar at	1 to 2.5 psig (0.07 to 0.17 Bar)	Over Inlet	1,000,000
LV4403Y66R*				psig inlet	0.69 bar inlet			

*Backmount Design

**Maximum flow is based on 10 PSIG inlet pressure and 1.5 PSIG delivery pressure.