

# Pressure Setting and Flow Data PRV9400

Pressure Setting and Flow Data PRV9400 Series								
Pressure Setting psig	barg	Air Flow Capacity SCFM	Pressure Setting psig	barg	Air Flow Capacity SCFM	Pressure Setting psig	barg	Air Flow Capacity SCFM
15	1.0	25	215	14.8	197	450	31.0	399
20	1.4	28	220	15.2	201	460	31.7	408
22	1.5	30	225	15.5	205	470	32.4	416
25	1.7	32	230	15.9	210	480	33.1	425
30	2.1	36	235	16.2	214	490	33.8	434
35	2.4	40	240	16.5	218	500	34.5	442
40	2.8	44	250	17.2	227	510	35.2	451
45	3.1	48	260	17.9	235	520	35.9	459
50	3.4	52	270	18.6	244	530	36.5	468
55	3.8	56	275	19.0	248	540	37.2	477
60	4.1	61	280	19.3	253	550	37.9	485
65	4.5	65	285	19.7	257	560	38.6	494
70	4.8	69	290	20.0	261	570	39.3	502
75	5.2	73	300	20.7	270	580	40.0	511
80	5.5	77	310	21.4	279	590	40.7	520
85	5.9	81	320	22.1	287	600	41.4	528
90	6.2	89	325	22.4	291			
100	6.9	98	330	22.8	296			
110	7.6	106	340	23.4	304			
120	8.3	115	350	24.1	313			
125	8.6	119	360	24.8	322			
130	9.0	123	370	25.5	330			
140	9.7	132	375	25.9	334			
150	10.3	141	380	26.2	339			
160	11.0	149	390	26.9	347			
170	11.7	158	400	27.6	356			
175	12.1	162	410	28.3	365			
180	12.4	167	420	29.0	373			
190	13.1	175	425	29.3	378			
200	13.8	184	430	29.6	382			
210	14.5	192	440	30.3	390			

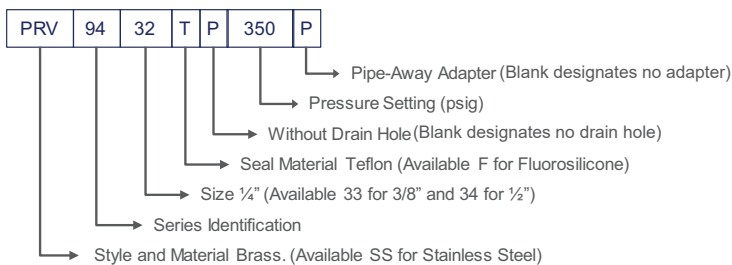
### Color Identification

<b>22 psig</b>	<b>230 psig</b>
<b>35 psig</b>	<b>350 psig</b>
<b>50 psig</b>	<b>450 psig</b>
<b>100 psig</b>	<b>500 psig</b>
<b>150 psig</b>	

### Color Identification

<b>1.51 barg</b>	<b>15.85 barg</b>
<b>2.41 barg</b>	<b>24.13 barg</b>
<b>3.44 barg</b>	<b>31.02 barg</b>
<b>6.89 barg</b>	<b>34.47 barg</b>
<b>10.34 barg</b>	

### Non-ASME Ordering Information



# Cryogenic Gas Relief Valves, ASME PRV19430 & PRV29430 Series

## Application

The 19430 and 29430 relief valves are designed for oxygen and other industrial gases and for cryogenic service in the vapor space. Apply on piping systems, liquid cylinders or mini-bulk cryogenic containers where an ASME relief valve is required.

## Features

- A.S.M.E. rated, National Board Certified
- Bubble tight at 95% of set pressure
- Full flow at 110% at set pressure
- Repeatable performance
- 100% factory tested
- Temperatures Range (Teflon Seat) -320° to +165° F (-196°C to +74°C)  
(Fluorosilicone Seat) -60° to +165° F (-51°C to +74°C)
- Cleaned and packaged for oxygen service per CGA G-4.1
- Rated for gas service only
- Color coded labels clearly identify pressure setting range
- Tamper resistant
- In liquid service be sure to use with a candy cane riser (Sold Separately)

## Materials SS Style

Body .....	Stainless Steel
Spring .....	Stainless Steel
Seat Retainer.....	Stainless Steel
Pipe-Away Adapter .....	Stainless Steel

## Materials PRV and B-Style

Body .....	Brass
Spring .....	Stainless Steel
Seat Retainer.....	Brass
Pipe-Away Adapter .....	Brass

## Flow Performance

For set pressures 90 - 600 capacity is 0.692 SCFM of air per psig of flow pressure. For set pressures 15 - 89 capacity is 0.750 SCFM of air per PSIA of flow pressure. Flow pressure per ASME is 10% above set pressure or +3 psig (0.2 barg), whichever is greater.

## Ordering Information

Fill in the blanks with options below.

Example: PRV019432T350

PRV	1	9432	T	Blank or "P"	350
Style	Body Material	Size	Seat Material	Drain Hole	Set Pressure

### Body Material Option

- 1 ASME approved valve made of brass
- 2 ASME approved valve made of stainless steel

### Seat Material Option

- F for Fluorosilicone for 15 to 139 psig (6.2 - 9.5 barg) set points.
- T for PTFE for 140-600 psig (9.6 - 41.4 barg) set points.

### Drain Hole Option

Leave blank for relief with drain hole. Insert P if no drain hole.

### Set Pressure

Enter number for set pressure in psig (6.2 - 41.4 barg) from 15 to 600.

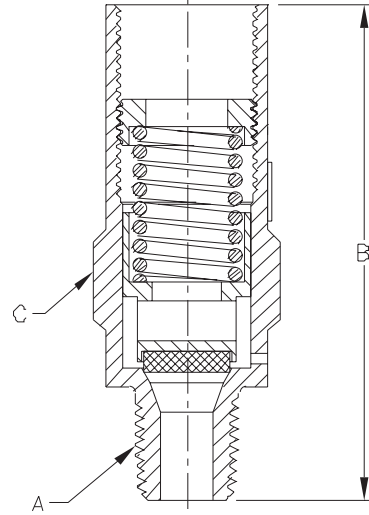
## Ordering Information

Part Number	Body and Valves Material	Pressure Setting Range psig (barg)	Inlet MNPT A Inches (mm)	Height B Inches (mm)	Wrenching Hex C inches (mm)	Kd value	Orifice Size In2 (mm2)
PRV19432	Brass	15-600 (1.03-41.36)	¼" (6.35)	2.6" (66.04)	⅝" (22.35)	0.686	.062 (40)
PRV29432	Stainless Steel		¾" (9.65)				
PRV19433	Brass			½" (12.70)			
PRV29433	Stainless Steel						
PRV19434	Brass						
PRV29434	Stainless Steel						

Pipe-away adapter options available (sold separately)  
Drain hole can not be used with pipe-away



19430 Series



The use of a candy cane riser is recommended for liquid phase installation of these PRVs.

Setpoint tolerance is ± 3% of the set pressure or ± 2 psig whichever is greater.

**WARNING:** Inspection and maintenance of pressure relief valves is very important. Failure to properly inspect and maintain pressure relief valves could result in personal injuries or property damage. The useful safe service life of a pressure relief valve may be significantly affected by the service environment.

# Pressure Setting and Flow Data PRV19430 and PRV29430 Series

Pressure Setting and Flow Data PRV19430 and PRV29430 Series								
Pressure Setting psig	barg	Air Flow Capacity SCFM	Pressure Setting psig	barg	Air Flow Capacity SCFM	Pressure Setting psig	Barg	Air Flow Capacity SCFM
15	1	25	215	14.8	174	450	31	353
20	1.4	28	220	15.2	178	460	31.7	360
22	1.5	30	225	15.5	181	470	32.4	368
25	1.7	32	230	15.9	185	480	33.1	376
30	2.1	36	235	16.2	189	490	33.8	383
35	2.4	40	240	16.5	193	500	34.5	391
40	2.8	44	250	17.2	200	510	35.2	398
45	3.1	48	260	17.9	208	520	35.9	406
50	3.4	52	270	18.6	216	530	36.5	414
55	3.8	56	275	19	220	540	37.2	421
60	4.1	61	280	19.3	223	550	37.9	429
65	4.5	65	285	19.7	227	560	38.6	436
70	4.8	69	290	20	231	570	39.3	444
75	5.2	73	300	20.7	239	580	40	452
80	5.5	77	310	21.4	246	590	40.7	459
85	5.9	81	320	22.1	254	600	41.4	467
90	6.2	79	325	22.4	258			
100	6.9	86	330	22.8	261			
110	7.6	94	340	23.4	269			
120	8.3	102	350	24.1	277			
125	8.6	105	360	24.8	284			
130	9	109	370	25.5	292			
140	9.7	117	375	25.9	296			
150	10.3	124	380	26.2	299			
160	11	132	390	26.9	307			
170	11.7	140	400	27.6	315			
175	12.1	143	410	28.3	322			
180	12.4	147	420	29	330			
190	13.1	155	425	29.3	334			
200	13.8	162	430	29.6	337			
210	14.5	170	440	30.3	345			

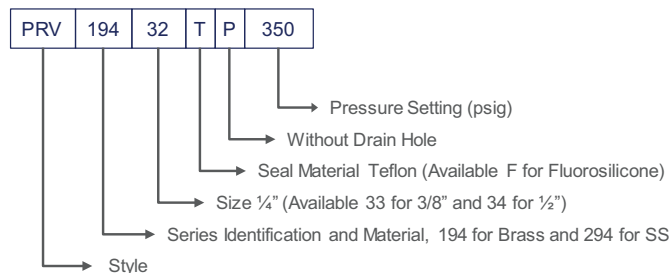
## Color Identification

<b>22 psig</b>	<b>230 psig</b>
<b>35 psig</b>	<b>350 psig</b>
<b>50 psig</b>	<b>450 psig</b>
<b>100 psig</b>	<b>500 psig</b>
<b>150 psig</b>	

## Color Identification

<b>1.51 barg</b>	<b>15.85 barg</b>
<b>2.41 barg</b>	<b>24.13 barg</b>
<b>3.44 barg</b>	<b>31.02 barg</b>
<b>6.89 barg</b>	<b>34.47 barg</b>
<b>10.34 barg</b>	

## ASME Ordering Information



# Brass High Pressure ASME Relief Valves PRV19534K Series

## Application

The RegO PRV19534 Series relief valves are designed for CO2 and other industrial gases and for cryogenic service in the vapor space. Apply on piping systems, liquid cylinders or mini-bulk cryogenic containers where an ASME relief valve is required. Compatible with all oxygen, nitrogen, argon, helium, LNG and CO2.



## Features

- All valves are cleaned and packaged for oxygen service per CGA G-4.1
- Bubble tight at 95% of set pressure
- Full flow at 110% of set pressure
- Temperature range -320°F to +165°F (-196°C to +74°C)
- Rated for gas service only, not liquid
- Setpoint tolerance +/- 3%
- Available in brass with settings from 800 to 1,000 psig
- Builds off proven experience of and further extends PRV9400 series offerings
- ASME rated National Board Certified
- Easy to read color coded psig / bar labels
- Tamper resistant
- Adapters provide standard pipe thread connections for venting gas to the outdoors (B-9412-4, sold separately)
- Repeatable performance
- 100% factory tested
- In liquid service be sure to use with a candy cane riser (sold separately)
- In liquid service be sure to use with a candy cane riser (Sold Separately)

## Flow Performance

For set pressures 800-1000 psig, capacity is 0.805 SCFM of air per PSIA of flow pressure. Flow pressure per ASME is 10% above set pressure or +3 PSIG, whichever is greater.

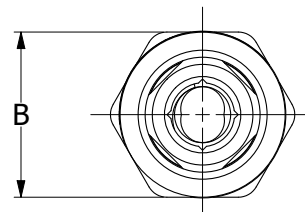
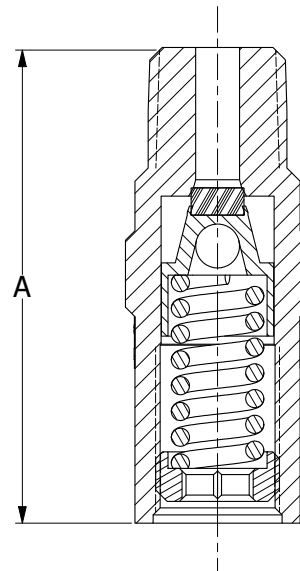
## Materials

Body ..... Brass ASTM B16 UNS C36000  
 Spring ..... Stainless Steel ASTM A313  
 Seat Retainer..... Brass ASTM B16 UNS C36000  
 Seat ..... PCTFE (Kel -F)  
 Pipe-Away Adapter ..... Brass ASTM B16 UNS C36000

The use of a candy cane riser is recommended for liquid phase installation of these PRVs.



PRV19534K Series



## Ordering Information

Part Number	Material	Pressure Setting Range psig (barg)	Inlet M.NPT	"A" Inches (mm)	"B" Inches (mm)	Orifice Size Inch <sup>2</sup> (mm <sup>2</sup> )	Kd Value	Pipe-Away Adapter P/N
PRV19534K	Brass	800- 1000 (55.1 - 68.9)	½"	2.9 (73.1)	1.0 (25.4)	0.266 (171.6)	0.79	B-9412-4

# Pressure Setting and Flow Data

## PRV19534K Series

Pressure Setting PSIG	Pressure Setting BARG	Air Flow Capacity SCFM	Pressure Setting PSIG	Pressure Setting BARG	Air Flow Capacity SCFM
800	551.6	720	900	620.5	809
805	555	725	905	624	813
810	558.5	729	910	627.4	818
815	561.9	734	915	630.9	822
820	565.4	738	920	634.3	826
825	568.8	742	925	637.8	831
830	572.3	747	930	641.2	835
835	575.7	751	935	644.7	840
840	579.2	756	940	648.1	844
845	582.6	760	945	651.6	849
850	586.1	765	950	655	853
855	589.5	769	955	658.5	857
860	593	773	960	661.9	862
865	596.4	778	965	665.3	866
870	599.8	782	970	668.8	871
875	603.3	787	975	672.2	875
880	606.7	791	980	675.7	880
885	610.2	796	985	679.1	884
890	613.6	800	990	682.6	888
895	617.1	804	995	686	893
			1000	689.5	897

Setpoint tolerance is  $\pm 3\%$  of the set pressure or  $\pm 2$  psig whichever is greater.

**WARNING:** Inspection and maintenance of pressure relief valves is very important. Failure to properly inspect and maintain pressure relief valves could result in personal injuries or property damage. The useful safe service life of a pressure relief valve may be significantly affected by the service environment.

### ASME Ordering Information

