

# Stainless Steel Spring-Loaded Piston Lift Check Valves

## CV9400 Series

### Application

The CV9400 Series of Stainless Steel Lift Check Valves are designed with a spring-loaded piston for installation in various piping configurations in liquid cryogenic applications, including bulk tanks, trailers and ISO tanks. Ideal service medium includes oxygen, nitrogen, krypton, carbon dioxide, nitrous oxide, dinitrogen monoxide, carbon oxide, methane, ethane, ethylene, argon, and LNG.



### Features

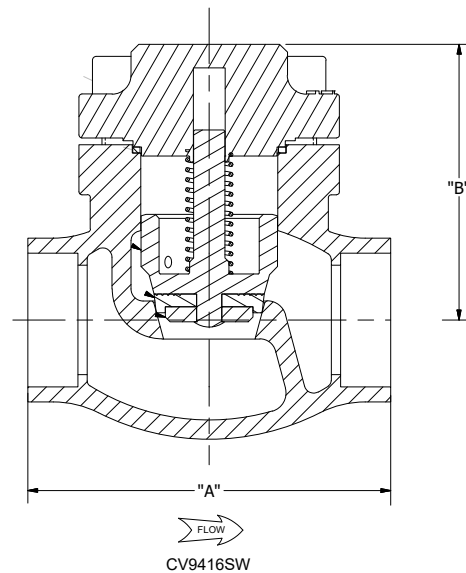
- Soft Seat: Dyneon™ TFM1600 material enables bubble tight sealing performance under cryogenic conditions
- Seat Disc: Conical seat design provides higher Cv and a bubble tight seal
- Seat Assembly: One-piece assembly with no small pieces prevent possible dislodge of material during vibration that could damage downstream equipment or potentially cause an explosion
- Seat Holder: Lower position guiding ensures repeatability of tight reseal
- Spring: 316Ti material provides repeatable, lasting performance when exposed to cryogenic liquid
- Opening Pressure: 1.5 PSIG (0.1 BARG)
- Sizes: ½" through 2"
- Connection: SCH 10 Socket Weld & Butt Weld per ASTM A312 & ASME B16.25 standards
- Temperature rating: -320°F to +185°F (-196°C to +85°C)
- Pressure rating: Cold, non-shock, 720 PSIG (50 BARG) Class 300 (PN 50)
- 100% Factory Tested
- Each valve is individually bagged and boxed to arrive in factory new condition until ready for installation
- Cleaned and packaged for oxygen service per CGA G-4.1



CV9416SW

### Materials

Body ..... 316 Stainless Steel ASTM A351-CF-8M (DIN 1.4408)  
 Bonnet ..... 304 Stainless Steel ASTM A182 (DIN 1.5415)  
 Spring ..... 316Ti Stainless Steel ASTM A313 (DIN 1.4544)  
 Gasket ..... PTFE 25% Glass Fill  
 Seat Disc ..... Dyneon TFM 1600  
 Seat Retainer ..... Brass ASTM B16 (DIN 2.0375)  
 Bonnet Screws ..... Stainless Steel ASTM 240 (DIN 1.4006)



PED Certified

### Ordering Information

Part Number	Size Inches	Size DN	Connection Type	A Inches	A mm	B Inches	B mm	Cv	Kv	Weight lbs	Weight kg
CV9404SW	½"	15	Socket Weld	2.7	67	2.7	68	5.0	4.3	1.9	0.9
CV9406SW	¾"	20		2.8	70	3.6	92	9.4	8.1	3.4	1.5
CV9408SW	1"	25		2.8	70	3.6	92	14.0	12.1	3.6	1.6
CV9412SW	1½"	40		3.1	79	4.8	121	28.3	21.6	7.0	3.2
CV9416SW	2"	50		4.2	106	5.8	146	53.0	45.8	12.2	5.6
CV9404BW	½"	15	Butt Weld	2.7	67	2.7	68	5.0	4.3	1.9	0.9
CV9406BW	¾"	20		2.8	70	3.6	92	9.4	8.1	3.4	1.5
CV9408BW	1"	25		2.8	70	3.6	92	14.0	12.1	3.6	1.6
CV9412BW	1½"	40		3.1	79	4.8	121	28.3	21.6	7.0	3.2
CV9416BW	2"	50		4.2	106	5.8	146	53.0	45.8	12.2	5.6