


Angle Relief Valve, ASME AR4100 Series

Application

The ASME approved 90° relief valves AR Series, provide precise relief set-points which protect cryogenic vessels and piping systems for over-pressurization.

Features

- High flow rates are approved by rigorous testing to ASME BVPC Code Section VIII
- The 90° configuration provides relief of gases eliminating direct flow through the spring
- The 90° configuration allows easy incorporation to plumbing for output containment
- Bubble-tight seat provides 100% shut off when reseating or static mode
- A variety of inlets and pressure settings assure adherence to application requirements
- Temperature Range: -320°F (-196°C) to +165°F (+74°C)
- Cleaned for Oxygen service per CGA G-4.1
- 100% Factory Tested
- PED, TPED, ASME and CRN Certified 

Materials

Body	Bronze ASTM B61
Upper Body.....	Stainless Steel ASTM A582
Seat and Stem.....	Brass ASTM B16
Poppet Guide.....	Brass ASTM B16
Spring Retainer.....	Brass ASTM B16
Adjusting Screw.....	Brass ASTM B16
Cap	Brass ASTM B16
Ball.....	Stainless Steel
Gasket	Copper ASTM B152-17
Spring	Stainless Steel ASTM A313
Seal	Modified PTFE

Ordering Information

Fill in the blanks with options below.

Example: AR4106A300

AR	4106	A	300
Angle Relief	Size	Cert Requirements and Pressure Unit	Set Pressure
			Size
			Set Pressure

Certifications	
A-ASME, TPED, PED	
B-ASME, TPED, PED	
N-TPED, PED	
:- B Version Assembled in Europe	
Set Pressure	Size
A,N- psig	04=½"
B- barg	06=¾"
	08=1"
	12=1½"

Set-point tolerance is ± 3% of the set pressure or ± 2 psig whichever is greater.

Note: For psig pressure settings, the part numbers end in A
For barg pressure settings, the part numbers end in B

Ordering Information

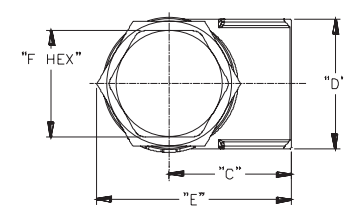
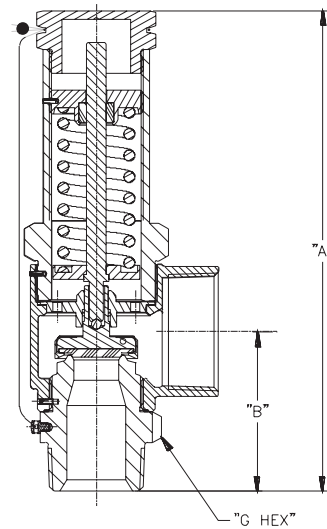
Part Number	Inlet Inches (mm)	Outlet Inches (mm)	Ends	A Inches (mm)	B Inches (mm)	C Inches (mm)	D Inches (mm)	E Inches (mm)	Set Pressure	ASME Flow Capacity (Air) at 110% Set Pressure	Weight Lbs (Kg)
AR4104A	½" (15)	1" (25)	Thread NPT	6.03" (153.16)	1.97" (50.04)	1.63" (41.40)	1.63" (41.40)	2.49" (63.25)	250 psig	406 SCFM *	2.75 (1.25)
AR4104B									17.23 barg*	690 m³/hr	
AR4106A	¾" (20)	1" (25)	Thread NPT	6.88" (174.75)	2.37" (60.20)	2.00" (50.80)	1.90" (48.26)	3.01" (76.45)	250 psig*	451 SCFM	3.75 (1.70)
AR4106B									17.23 barg*	766 m³/hr	
AR4108A	1" (25)	1½" (32)	Thread NPT	9.64" (244.86)	3.20" (81.28)	2.45" (62.23)	2.60" (66.04)	3.89" (98.81)	250 psig*	1,003 SCFM	8.00 (3.63)
AR4108B									17.23 barg*	1704 m³/hr	
AR4112A	1½" (40)	2" (50)	Thread NPT	9.64" (244.86)	3.20" (81.28)	2.45" (62.23)	2.60" (66.04)	3.89" (98.81)	250 psig*	2,277 SCFM	8.00 (3.63)
AR4112B									17.23 barg*	3869 m³/hr	

*Custom psig and barg settings are available

Note: For Non-ASME stamp, the part numbers are: AR4104N, AR4106N, AR4108N, AR4112N.



AR4100 Series



Air Capacity= m x P

Where:

m = Slope Value

P= Pressure, Absolute @10% overpressure.

Example: Pressure relief valve, ½" inlet x 1" outlet, at 80 psig. Part number AR4108A080.

m = 1.4

P= 80 psig

Air Capacity= 1.4 x [(80psig x 1.10) + 14.7]

Air Capacity= 143.8 SCFM (air)

Flow Performance

AR4104A set pressures 75 - 500 capacity is 1.4 SCFM of air per psig of flow pressure.

AR4106A set pressures 75 - 400 capacity is 1.56 SCFM of air per psig of flow pressure.

AR4108A set pressures 75 - 425 capacity is 3.463 SCFM of air per psig of flow pressure.

AR4112A set pressures 80 - 425 capacity is 7.86 SCFM of air per psig of flow pressure.

Flow pressure per ASME is 10% above set pressure or +3 psig, whichever is greater.

Angle Relief Valve, ASME AR5100 Series

Application

The ASME approved 90° relief valves AR Series, provide precise relief set-points which protect cryogenic vessels and piping systems for over-pressurization.

Features

- High flow rates are approved by rigorous testing to ASME BVPC Code Section VIII
- The 90° configuration provides relief of gases eliminating direct flow through the spring
- The 90° configuration allows easy incorporation to plumbing for output containment
- Bubble-tight seat provides 100% shut off when reseating or static mode
- A variety of inlets and pressure settings assure adherence to application requirements
- Temperature Range: -320°F (-196°C) to +165°F (+74°C)
- Cleaned for Oxygen service per CGA G-4.1
- 100% Factory Tested
- PED, TPED and ASME Certified



Materials

Body	Bronze ASTM B61
Upper Body.....	Stainless Steel ASTM A582
Seat and Stem.....	Brass ASTM B16
Poppet Guide.....	Brass ASTM B16
Spring Retainer.....	Brass ASTM B16
Adjusting Screw.....	Brass ASTM B16
Cap.....	Brass ASTM B16
Ball.....	Stainless Steel
Gasket.....	Copper ASTM B152-17
Spring.....	Stainless Steel ASTM A313
Seal.....	Modified PTFE

Ordering Information

Fill in the blanks with options below.

Example: AR5106A300

AR	5106	A	300
Angle Relief	Size	Cert Requirements and Pressure Unit	Set Pressure

Certifications

- A-ASME, TPED, PED
- B-ASME, TPED, PED
- N-TPED, PED
- : - B Version Assembled in Europe

Set Pressure

A,N - psig	04=½"
B - barg	06=¾"
	08=1"
	12=1½"

Set-point tolerance is ± 3% of the set pressure or ± 2 psig whichever is greater.

Note: For psig pressure settings, the part numbers end in A
For barg pressure settings, the part numbers end in B

Ordering Information

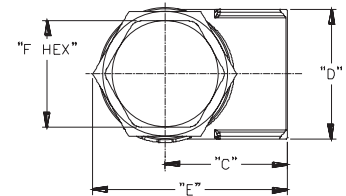
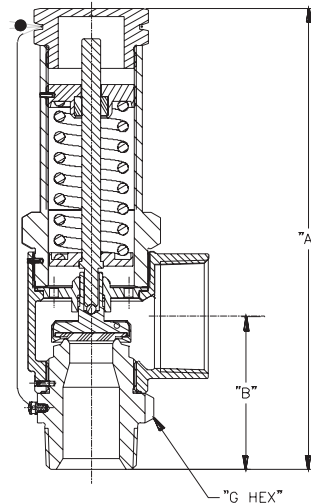
Part Number	Inlet Inches (mm)	Outlet Inches (mm)	Ends	A Inches (mm)	B Inches (mm)	C Inches (mm)	D Inches (mm)	E Inches (mm)	Set Pressure	ASME Flow Capacity (Air) at 110% Set Pressure	Weight Lbs (Kg)
AR5104A	½"	1"	Thread BSPP	6.03"	1.97"	1.63"	1.63"	2.49"	250 psig*	406 SCFM	2.75 (1.25)
AR5104B	(15)								(153.16)	(50.04)	
AR5106A	¾"	(25)		6.88"	2.37"	2.00"	1.90"	3.01"	250 psig*	451 SCFM	3.75 (1.70)
AR5106B	(20)								(174.75)	(60.20)	
AR5108A	1"	1½"		9.64"	3.20"	2.45"	2.60"	3.89"	250 psig*	1,003 SCFM	8.00 (3.63)
AR5108B	(25)								(244.86)	(81.28)	
AR5112A	1½"	2"		12.00"	4.00"	3.00"	2.80"	4.00"	250 psig*	2,277 SCFM	12.00 (5.44)
AR5112B	(40)								(101.60)	(76.20)	

*Custom psig and barg settings are available

Note: For Non-ASME stamp, the part numbers are: AR5104N, AR5106N, AR5108N, AR5112N.



AR5100 Series



Air Capacity= m x P

Where:

m = Slope Value

P= Pressure, Absolute @10% overpressure.

Example: Pressure relief valve, ½" inlet x 1" outlet, at 80 psig. Part number AR5108A080.

m = 1.4

P= 80 psig

Air Capacity= 1.4 x [(80psig x 1.10) +14.7]

Air Capacity= 143.8 SCFM (air)

Flow Performance

AR5104A set pressures 75 - 500 capacity is 1.4 SCFM of air per psig of flow pressure.

AR5106A set pressures 75 - 400 capacity is 1.56 SCFM of air per psig of flow pressure.

AR5108A set pressures 75 - 425 capacity is 3.463 SCFM of air per psig of flow pressure.

AR5112A set pressures 80 - 425 capacity is 7.86 SCFM of air per psig of flow pressure.

Flow pressure per ASME is 10% above set pressure or +3 psig, whichever is greater.

Angle Relief Valve, ASME AR5100 Series

Application

The ASME approved 90° relief valves AR Series, provide precise relief set-points which protect cryogenic vessels and piping systems for over-pressurization.

Features

- High flow rates are approved by rigorous testing to ASME BVPC Code Section VIII
- The 90° configuration provides relief of gases eliminating direct flow through the spring
- The 90° configuration allows easy incorporation to plumbing for output containment
- Bubble-tight seat provides 100% shut off when reseating or static mode
- A variety of inlets and pressure settings assure adherence to application requirements
- Temperature Range: -320°F (-196°C) to +165°F (+74°C)
- Cleaned for Oxygen service per CGA G-4.1
- 100% Factory Tested
- PED, TPED and ASME Certified



Materials

Body	Bronze ASTM B61
Upper Body.....	Stainless Steel ASTM A582
Seat and Stem.....	Brass ASTM B16
Poppet Guide.....	Brass ASTM B16
Spring Retainer.....	Brass ASTM B16
Adjusting Screw.....	Brass ASTM B16
Cap.....	Brass ASTM B16
Ball.....	Stainless Steel
Gasket.....	Copper ASTM B152-17
Spring.....	Stainless Steel ASTM A313
Seal.....	Modified PTFE

Ordering Information

Fill in the blanks with options below.

Example: AR5106A300

AR	5106	A	300
Angle Relief	Size Requirements and Pressure Unit	Cert	Set Pressure

Certifications

- A-ASME, TPED, PED
- B-ASME, TPED, PED
- N-TPED, PED
- : - B Version Assembled in Europe

Set Pressure

A,N - psig	04=½"
B - barg	06=¾"
	08=1"
	12=1½"

Set-point tolerance is ± 3% of the set pressure or ± 2 psig whichever is greater.

Note: For psig pressure settings, the part numbers end in A
For barg pressure settings, the part numbers end in B

Ordering Information

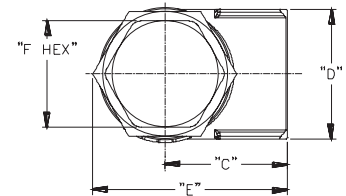
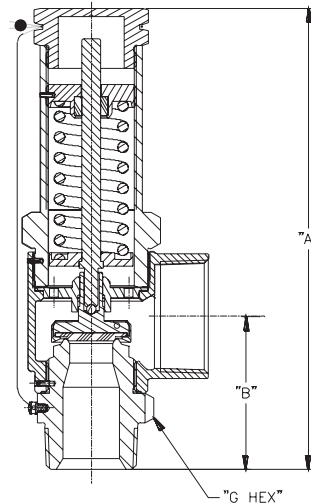
Part Number	Inlet Inches (mm)	Outlet Inches (mm)	Ends	A Inches (mm)	B Inches (mm)	C Inches (mm)	D Inches (mm)	E Inches (mm)	Set Pressure	ASME Flow Capacity (Air) at 110% Set Pressure	Weight Lbs (Kg)
AR5104A	½"	1"	Thread BSPP	6.03"	1.97"	1.63"	1.63"	2.49"	250 psig*	406 SCFM	2.75 (1.25)
AR5104B	(15)								(153.16)	(50.04)	
AR5106A	¾"	(25)		6.88"	2.37"	2.00"	1.90"	3.01"	250 psig*	451 SCFM	3.75 (1.70)
AR5106B	(20)								(174.75)	(60.20)	
AR5108A	1"	1½"		9.64"	3.20"	2.45"	2.60"	3.89"	250 psig*	1,003 SCFM	8.00 (3.63)
AR5108B	(25)								(244.86)	(81.28)	
AR5112A	1½"	2"		12.00"	4.00"	3.00"	2.80"	4.00"	250 psig*	2,277 SCFM	12.00 (5.44)
AR5112B	(40)								(304.80)	(76.20)	

*Custom psig and barg settings are available

Note: For Non-ASME stamp, the part numbers are: AR5104N, AR5106N, AR5108N, AR5112N.



AR5100 Series



Air Capacity= m x P

Where:

m = Slope Value

P= Pressure, Absolute @10% overpressure.

Example: Pressure relief valve, ½" inlet x 1" outlet, at 80 psig. Part number AR5108A080.

m = 1.4

P= 80 psig

Air Capacity= 1.4 x [(80psig x 1.10) +14.7]

Air Capacity= 143.8 SCFM (air)

Flow Performance

AR5104A set pressures 75 - 500 capacity is 1.4 SCFM of air per psig of flow pressure.

AR5106A set pressures 75 - 400 capacity is 1.56 SCFM of air per psig of flow pressure.

AR5108A set pressures 75 - 425 capacity is 3.463 SCFM of air per psig of flow pressure.

AR5112A set pressures 80 - 425 capacity is 7.86 SCFM of air per psig of flow pressure.

Flow pressure per ASME is 10% above set pressure or +3 psig, whichever is greater.