

# Stainless Steel Globe Valves for Cryogenic Service

## SKL Advantage Series Long Stem

### Application

The SK Advantage Series of Stainless Steel Globe Valves are designed for handling cryogenic liquids through trailer, bulk vessels and piping configurations. Ideal service medium includes Oxygen, Nitrogen, Krypton, Carbon Dioxide, Dinitrogen Monoxide, Carbon Dioxide, Methane, Ethane, Ethylene, Argon and LNG. Our Kold-Seal stem seal technology assures a tight seal preventing cryogen gas loss. The conical seat design allows exceptional flow, positive shut-off and less chance of debris accumulation in the flow path, all resulting in an overall longer service life. Maintenance on the packing and seat is quick and easy.

### Features

- Soft Seat: PCTFE material which is the most widely specified cryogenic seat material in the industry
- Construction: Bolted bonnet allows easy access to the valve internals for servicing
- Stem Packing: Proven Kold-Seal technology, Live-loaded PTFE
- Sizes: 1/4" through 2"
- Connection: Socket Weld and Butt Weld
- Service: Liquefied and vaporized atmospheric gases, LNG
- Temperature Rating: -320°F to +150°F (-198°C to +65°C)
- Pressure Rating: Cold, Non-Shock, 725 psig (50 barg) Class 300 (PN 50)
- Cleaned for Oxygen service per CGA G-4.1
- Application: Multiple stem lengths available for selected service
- Packaging: Each valve is individually bagged and boxed to arrive in factory new condition until installation

### Materials

Body ..... Stainless Steel ASTM A351 CF8  
 Bonnet and Tube Stainless Steel ASTM A351 CF8/ASTM A479 type 304  
 Stem .....Stainless Steel ASTM A582 S30300  
 Spring.....Stainless Steel ASTM A313 S30200  
 Packing..... Live-loaded PTFE Packing  
 Gasket.....PTFE 25% Glass Fill  
 Seat Disc.....PCTFE ASTM D1430  
 Seat Retainer.....Brass ASTM B16  
 Bonnet Screws.....ASTM B16 C36000  
 Handwheel..... Painted Aluminum

### Quality / Facility Features

- Material traceability in accordance with BS EN 10204 3.1
- CE Marking per European Pressure Equipment Directive

TPED and PED Certified



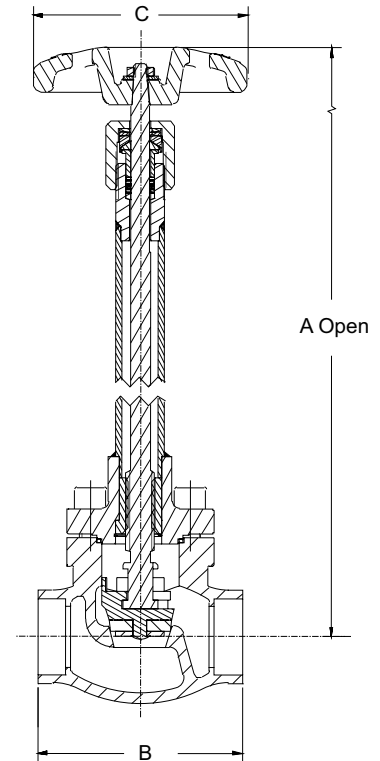
### Ordering Information

Part Number	Size Inches	Size DN	Connection	A Inches	A mm	B Inches	B mm	C Inches	C mm	Cv	Kv	Weight lbs	Weight kg
SKL9402SW	1/4"	8	Socket Weld	14.6	370	2.7	68	4	102	1.7	1.47	3.76	1.70
SKL9404SW	1/2"	15								5	4.30	3.47	1.68
SKL9406SW	3/4"	20				9.4	8.10			5.17	2.34		
SKL9408SW	1"	25				14	1.16			5.34	2.42		
SKL9412SW	1 1/2"	40				28.3	21.9			9.48	4.30		
SKL9416SW	2"	50	53	45.8	16.3	7.39							
SKL9402BW	1/4"	8	Butt Weld	14.6	370	2.7	68	4	102	1.7	1.47	3.76	1.70
SKL9404BW	1/2"	15								5	4.30	3.47	1.68
SKL9406BW	3/4"	20				9.4	8.10			5.17	2.34		
SKL9408BW	1"	25				14	12.10			5.34	2.42		
SKL9412BW	1 1/2"	40				28.3	21.60			9.48	4.30		
SKL9416BW	2"	50	53	45.80	16.3	7.39							

SW = Socket Weld; BW = Butt Weld



SK Advantage



# Stainless Steel Globe Valves for Cryogenic Service

## SKM Advantage Series Medium Stem



### Application

The SK Advantage Series of Stainless Steel Globe Valves are designed for handling cryogenic liquids through trailer, bulk vessels and piping configurations. Ideal service medium includes Oxygen, Nitrogen, Krypton, Carbon Dioxide, Dinitrogen Monoxide, Carbon Oxide, Methane, Ethane, Ethylene, Argon and LNG. Our Kold-Seal stem seal technology assures a tight seal preventing cryogen gas loss. The conical seat design allows exceptional flow, positive shut-off and less chance of debris accumulation in the flow path, all resulting in an overall longer service life. Maintenance on the packing and seat is quick and easy.

### Features

- Soft Seat: PCTFE material which is the most widely specified cryogenic seat material in the industry
- Construction: Bolted bonnet allows easy access to the valve internals for servicing
- Stem Packing: Proven Kold-Seal technology, Live-loaded PTFE
- Sizes: 1/4" through 2"
- Connection: Socket Weld and Butt Weld
- Service: Liquefied and vaporized atmospheric gases, LNG
- Temperature Rating: -325°F to +150°F (-198°C to +65°C)
- Pressure Rating: Cold, Non-Shock, 725 psig (50 barg) Class 300 (PN 50)
- Cleaned for Oxygen service per CGA G-4.1
- Application: Multiple stem lengths available for selected service
- Packaging: Each valve is individually bagged and boxed to arrive in factory new condition until installation

### Materials

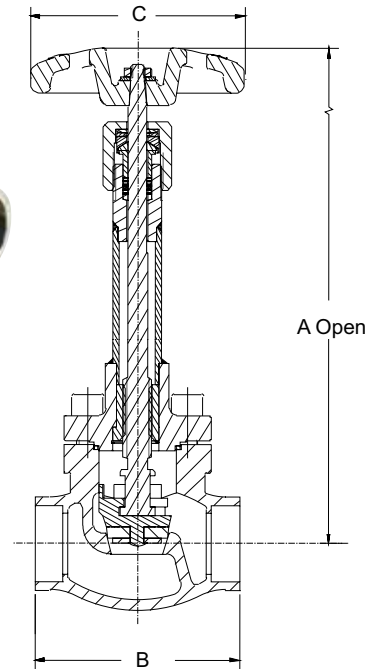
Body ..... Stainless Steel ASTM A351 CF8  
 Bonnet and Tube Stainless Steel ASTM A351 CF8/ASTM A479 type 304  
 Stem .....Stainless Steel ASTM A582 S30300  
 Spring .....Stainless Steel ASTM A313 S30200  
 Packing..... Live-loaded PTFE Packing  
 Gasket .....PTFE 25% Glass Fill  
 Seat Disc .....PCTFE ASTM D1430  
 Seat Retainer..... Brass ASTM B16  
 Bonnet Screws .....ASTM B16 C36000  
 Handwheel..... Painted Aluminum

### Quality / Facility Features

- Material traceability in accordance with BS EN 10204 3.1
- CE Marking per European Pressure Equipment Directive



**SKM9406BW**



TPED and PED Certified



### Ordering Information

Part Number	Size Inches	Size DN	Connection	A Inches	A mm	B Inches	B mm	C Inches	C mm	Cv	Kv	Weight lbs	Weight kg
SKM9402SW	1/4"	8	Socket Weld	10.6	270	2.7	68	4	102	1.7	1.47	3.31	1.50
SKM9404SW	1/2"	15								5	4.30	3.29	1.48
SKM9406SW	3/4"	20								9.4	8.10	4.86	2.20
SKM9408SW	1"	25				14	12.10	5.02	2.27				
SKM9412SW	1 1/2"	40				4.7	121	5	127	28.3	21.60	8.92	4.04
SKM9416SW	2"	50				5.7	146	53	45.80	15.30	6.94		
SKM9402BW	1/4"	8	Butt Weld	10.6	270	2.7	68	4	102	1.7	1.47	3.31	1.50
SKM9404BW	1/2"	15								5	4.30	3.29	1.48
SKM9406BW	3/4"	20								9.4	8.10	4.86	2.20
SKM9408BW	1"	25				14	12.10	5.02	2.27				
SKM9412BW	1 1/2"	40				4.7	121	5	127	28.3	21.60	8.92	4.04
SKM9416BW	2"	50				5.7	146	53	45.80	15.30	6.94		

SW = Socket Weld; BW = Butt Weld

# Stainless Steel Globe Valves for Cryogenic Service

## SKS Advantage Series Short Stem

### Application

The SKS Series globe valves short stem are designed for handling of cryogenic liquids through bulk tanks, trucks, trailers, ISO-containers and piping configurations. Our time tested spring-loaded stem packing and superior seat design provide for long life and easy maintenance.

### Features

- Superior Flow: Provides high Cv for rapid and reliable loading and unloading.
- Designed with the unique Kold-Seal™.
- Conical PCTFE Seat: provides exceptional flow; bubble-tight seal; less chance of debris trapped in the seat and longer service life.
- Connections: Socket Weld and Butt Weld.
- Sizes: ¼" to 1½"
- Bonnet Type: Bolted.
- Pressure Rating: 720 psig (50 barg)
- Temperature Rating: -320°F (-196°C) to +150°F (+65°C).
- Service: Liquefied and Vaporized Atmospheric Gases and LNG for Trailers, Bulk Tanks, ISO-Containers and Piping Configurations.
- Cleaned for Oxygen service per CGA G-4.1.

### Materials

Body ..... Stainless Steel ASTM A351 CF8  
 Bonnet and Tube Stainless Steel ASTM A351 CF8/ASTM A479 type 304  
 Stem .....Stainless Steel ASTM A582 S30300  
 Spring .....Stainless Steel ASTM A313 S30200  
 Packing ..... Live-loaded PTFE Packing  
 Gasket ..... PTFE 25% Glass Fill  
 Seat Disc .....PCTFE ASTM D1430  
 Seat Retainer..... Brass ASTM B16  
 Bonnet Screws .....ASTM B16 C36000  
 Handwheel..... Painted Aluminum

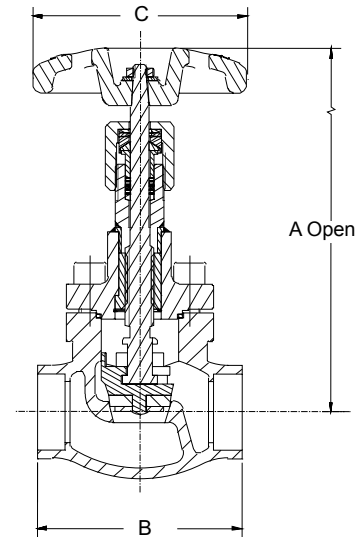
### Quality / Facility Features

- Material traceability in accordance with BS EN 10204 3.1
- CE Marking per European Pressure Equipment Directive

PED Certified



SKS9406BW



### Ordering Information

Part Number	Size Inches	Size DN	Connection	A Inches	A mm	B Inches	B mm	C Inches	C mm	Cv	Kv	Weight lbs	Weight kg
SKS9402SW	¼"	8	Socket Weld	6.7	170	2.7	68	4	102	1.7	1.47	2.64	1.20
SKS9404SW	½"	15								5	4.30	2.62	1.19
SKS9406SW	¾"	20								9.4	8.10	4.21	1.91
SKS9408SW	1"	25								14	12.10	4.10	1.86
SKS9412SW	1½"	40		7.0	178	4.7	120	5	127	28.3	21.60	7.16	3.25
SKS9402BW	¼"	8	Butt Weld	6.7	170	2.7	68	4	102	1.7	1.47	2.64	1.20
SKS9404BW	½"	15								5	4.30	2.62	1.19
SKS9406BW	¾"	20								9.4	8.10	4.21	1.91
SKS9408BW	1"	25								14	12.10	4.10	1.86
SKS9412BW	1½"	40								7.0	178	4.7	120

# Stainless Steel Globe Valves for Cryogenic Service

## SK Advantage Series Long Stem Threaded Connection

### Application

The SK Advantage Series of Stainless Steel Globe Valves are designed for handling cryogenic liquids through trailer, bulk vessels and piping configurations. Ideal service medium includes oxygen, nitrogen, krypton, carbon dioxide, dinitrogen monoxide, carbon dioxide, methane, ethane, ethylene, argon and LNG. Our Kold-Seal stem seal technology assures a tight seal preventing cryogen gas loss. The conical seat design allows exceptional flow, positive shutoff and less chance of debris accumulation in the flow path, all resulting in an overall longer service life. Maintenance on the packing and seat is quick and easy.

### Features

- **Soft Seat:** PTFE material which is the most widely specified cryogenic seat material in the industry
- **Construction:** Bolted bonnet allows easy access to the valve internals for servicing
- **Stem Packing:** Proven Kold-Seal technology, Live Loaded PTFE
- **Sizes:** 1/4" through 2"
- **Connection:** Threaded NPT
- **Service:** Liquefied and vaporized atmospheric gases, LNG
- **Temperature Rating:** -320°F to +150°F (-198°C to +65°C)
- **Pressure Rating:** Cold, Non-Shock, 725 psig (50 barg) Class 300 (PN 50)
- Cleaned and packaged for oxygen service per CGA G-4.1
- **Application:** Multiple stem lengths available for selected service
- **Packaging:** Each valve is individually bagged and boxed to arrive in factory new condition until installation

### Materials

Body ..... Stainless Steel ASTM A351 CF8  
 Bonnet and Tube Stainless Steel ASTM A351 CF8/ASTM A479 type 304  
 Stem .....Stainless Steel ASTM A582 S30300  
 Spring.....Stainless Steel ASTM A313 S30200  
 Packing..... Live Loaded PTFE Packing  
 Gasket.....PTFE 25% Glass Fill  
 Seat Disc.....PCTFE ASTM D1430  
 Seat Retainer.....Brass ASTM B16  
 Bonnet Screws.....ASTM B16 C36000  
 Handwheel..... Painted Aluminum

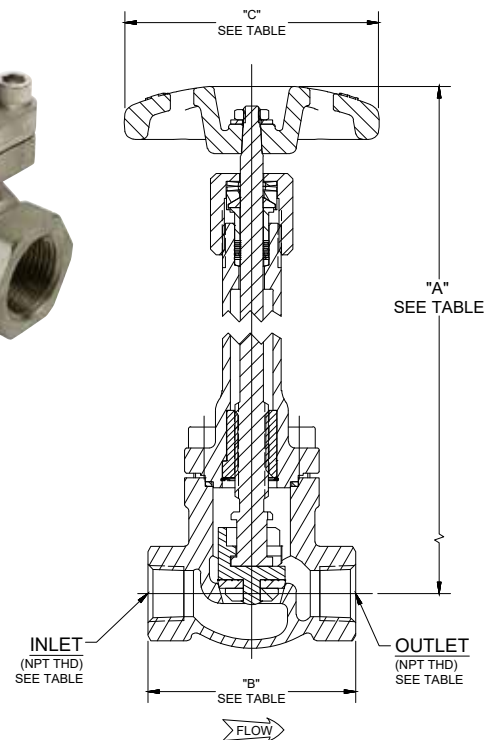
### Quality / Facility Features

- Material traceability in accordance with BS EN 10204 3.1
- CE Marking per European Pressure Equipment Directive

TPED & PED Certified



SKL9408T



### Ordering Information

Part Number	Size Inches	Size DN	Connection	A Inches	A mm	B Inches	B mm	C Inches	C mm	Cv	Kv	Weight lbs	Weight kg
SKL9404T	1/2"	15	Threaded NPT	14.6	370	3.09	78.48	4	102	5	4.30	3.47	1.68
SKL9408T	1"	25				3.95	100.33			14	1.16	5.34	2.42
SKL9412T	1 1/2"	40				5.00	127	5	127	28.3	21.9	9.48	4.30
SKL9416T	2"	50				5.92	150.37			53	45.8	16.3	7.39



# Stainless Steel Globe Valves for Cryogenic Service

## SK Advantage Series Medium Stem Threaded Connection

### Application

The SK Advantage Series of Stainless Steel Globe Valves are designed for handling cryogenic liquids through trailer, bulk vessels and piping configurations. Ideal service medium includes oxygen, nitrogen, krypton, carbon dioxide, dinitrogen monoxide, carbon oxide, methane, ethane, ethylene, argon and LNG. Our Kold-Seal stem seal technology assures a tight seal preventing cryogen gas loss. The conical seat design allows exceptional flow, positive shutoff and less chance of debris accumulation in the flow path, all resulting in an overall longer service life. Maintenance on the packing and seat is quick and easy.

### Features

- **Soft Seat:** PCTFE material which is the most widely specified cryogenic seat material in the industry
- **Construction:** Bolted bonnet allows easy access to the valve internals for servicing
- **Stem Packing:** Proven Kold-Seal technology, Live Loaded PTFE
- **Sizes:** 1/4" through 2"
- **Connection:** Threaded NPT
- **Service:** Liquefied and vaporized atmospheric gases, LNG
- **Temperature Rating:** -325°F to +150°F (-198°C to +65°C)
- **Pressure Rating:** Cold, Non-Shock, 725 psig (50 barg) Class 300 (PN 50)
- Cleaned and packaged for oxygen service per CGA G-4.1
- **Application:** Multiple stem lengths available for selected service
- **Packaging:** Each valve is individually bagged and boxed to arrive in factory new condition until installation

### Materials

Body ..... Stainless Steel ASTM A351 CF8  
 Bonnet and Tube Stainless Steel ASTM A351 CF8/ASTM A479 type 304  
 Stem ..... Stainless Steel ASTM A582 S30300  
 Spring ..... Stainless Steel ASTM A313 S30200  
 Packing ..... Live Loaded PTFE Packing  
 Gasket ..... PTFE 25% Glass Fill  
 Seat Disc ..... PCTFE ASTM D1430  
 Seat Retainer ..... Brass ASTM B16  
 Bonnet Screws ..... ASTM B16 C36000  
 Handwheel ..... Painted Aluminum

### Quality / Facility Features

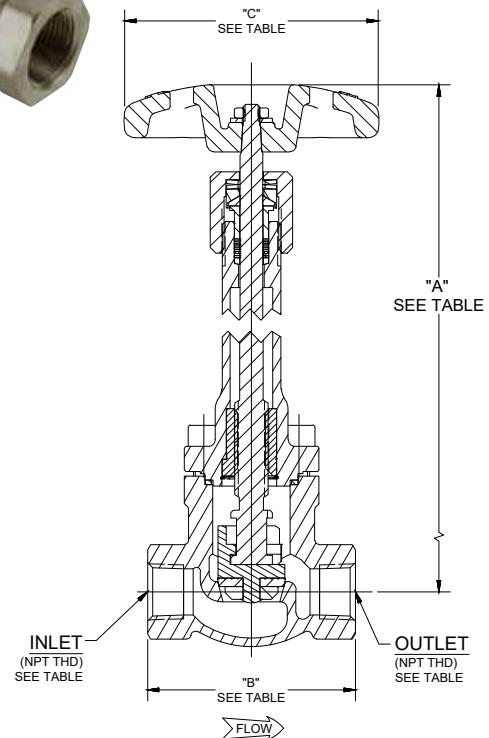
- Material traceability in accordance with BS EN 10204 3.1
- CE Marking per European Pressure Equipment Directive



TPED & PED Certified



SKM9408T



### Ordering Information

Part Number	Size Inches	Size DN	Connection	A Inches	A mm	B Inches	B mm	C Inches	C mm	Cv	Kv	Weight lbs	Weight kg
SKM9404T	1/2"	15	Threaded NPT	10.6	270	3.09	78.48	4	102	5	4.30	3.29	1.48
SKM9408T	1"	25				3.95	100.33			14	12.10	5.02	2.27
SKM9412T	1 1/2"	40				5.00	127.00	5	127	28.3	21.60	8.92	4.04
SKM9416T	2"	50				5.92	150.37			53	45.80	15.30	6.94

# Stainless Steel Globe Valves for Cryogenic Service

## SK Advantage Series Short Stem Threaded Connection

### Application

The SKS Series globe valves short stem are designed for handling of vapor phase and cryogenic liquids through bulk tanks, trucks, trailers, ISO-containers and piping configurations. Our time tested spring loaded stem packing and superior seat design provide for long life and easy maintenance. Recommended for vapor phase and intermittent cryogenic liquid use.

### Features

- Superior Flow: Provides high Cv for rapid and reliable loading and unloading
- Designed with the unique Kold-Seal™
- Conical PCTFE Seat: provides exceptional flow; bubble tight seal; less chance of debris trapped in the seat and longer service life
- Connections: Socket Weld & Butt Weld
- Sizes: 1/4" to 1 1/2"
- Bonnet Type: Bolted
- Pressure Rating: 720 psig (50 barg)
- Temperature Rating: -320°F (-196°C) to +150°F (+65°C)
- Service: Liquefied & Vaporized Atmospheric Gases and LNG for Trailers, Bulk Tanks, Iso-Containers and Piping Configurations
- Cleaned for Oxygen Service per CGA G-4.1

### Materials

Body ..... Stainless Steel ASTM A351 CF8  
 Bonnet and Tube Stainless Steel ASTM A351 CF8/ASTMA479 type 304  
 Stem .....Stainless Steel ASTM A582 S30300  
 Spring .....Stainless Steel ASTM A313 S30200  
 Packing..... Live Loaded PTFE Packing  
 Gasket .....PTFE 25% Glass Fill  
 Seat Disc .....PCTFE ASTM D1430  
 Seat Retainer..... Brass ASTM B16  
 Bonnet Screws .....ASTM B16 C36000  
 Handwheel..... Painted Aluminum

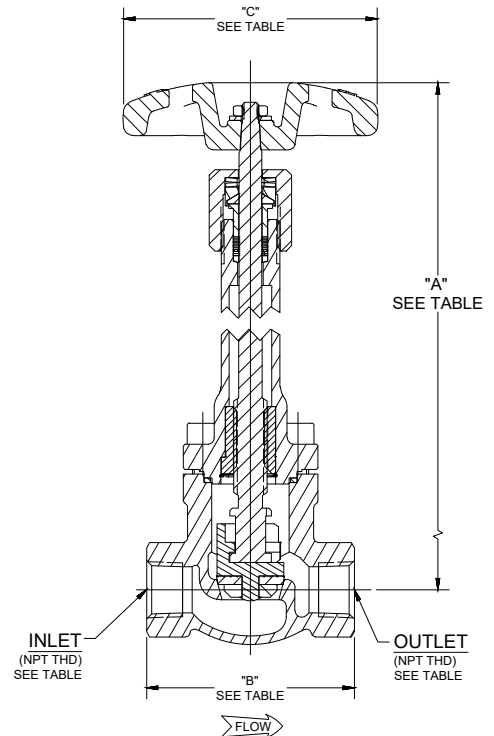
### Quality / Facility Features

- Material traceability in accordance with BS EN 10204 3.1
- CE Marking per European Pressure Equipment Directive

PED Certified



SKS9408T



### Ordering Information

Part Number	Size Inches	Size DN	Connection	A Inches	A mm	B Inches	B mm	C Inches	C mm	Cv	Kv	Weight lbs	Weight kg
SKS9404T	1/2"	15	Threaded NPT	6.7	170	3.09	78.48	4	102	5	4.30	2.62	1.19
SKS9408T	1"	25				3.95	100.33			14	12.10	4.10	1.86
SKS9412T	1 1/2"	40		7.0	178	5.00	127.00	5	127	28.3	21.60	7.16	3.25

# Stainless Steel Globe Valves for Cryogenic Service

## SK Advantage Series Long Stem, Inlet Socket Weld, Outlet Threaded NPT

### Application

The SK Advantage Series of Stainless Steel Globe Valves are designed for handling cryogenic liquids through trailer, bulk vessels and piping configurations. Ideal service medium includes oxygen, nitrogen, krypton, carbon dioxide, dinitrogen monoxide, carbon dioxide, methane, ethane, ethylene, argon and LNG. Our Kold-Seal stem seal technology assures a tight seal preventing cryogen gas loss. The conical seat design allows exceptional flow, positive shutoff and less chance of debris accumulation in the flow path, all resulting in an overall longer service life. Maintenance on the packing and seat is quick and easy.

### Features

- **Soft Seat:** PCTFE material which is the most widely specified cryogenic seat material in the industry
- **Construction:** Bolted bonnet allows easy access to the valve internals for servicing
- **Stem Packing:** Proven Kold-Seal technology, Live Loaded PTFE
- **Sizes:** 1/4" through 2"
- **Connection:** Threaded NPT
- **Service:** Liquefied and vaporized atmospheric gases, LNG
- **Temperature Rating:** -320°F to +150°F (-198°C to +65°C)
- **Pressure Rating:** Cold, Non-Shock, 725 psig (50 barg) Class 300 (PN 50)
- Cleaned and packaged for oxygen service per CGA G-4.1
- **Application:** Multiple stem lengths available for selected service
- **Packaging:** Each valve is individually bagged and boxed to arrive in factory new condition until installation

### Materials

Body ..... Stainless Steel ASTM A351 CF8  
 Bonnet and Tube Stainless Steel ASTM A351 CF8/ASTM A479 type 304  
 Stem .....Stainless Steel ASTM A582 S30300  
 Spring.....Stainless Steel ASTM A313 S30200  
 Packing..... Live Loaded PTFE Packing  
 Gasket.....PTFE 25% Glass Fill  
 Seat Disc.....PCTFE ASTM D1430  
 Seat Retainer.....Brass ASTM B16  
 Bonnet Screws.....ASTM B16 C36000  
 Handwheel..... Painted Aluminum

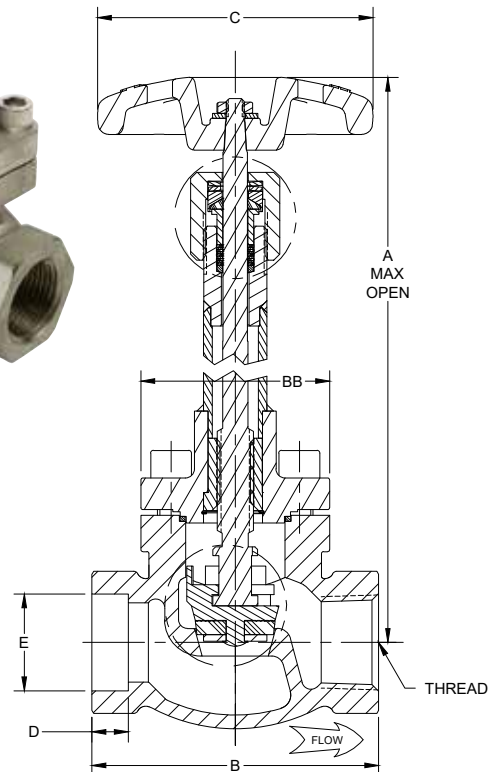
### Quality / Facility Features

- Material traceability in accordance with BS EN 10204 3.1
- CE Marking per European Pressure Equipment Directive

TPED & PED Certified



SKL9408ST



### Ordering Information

Part Number	Size Inches	Size DN	Connection		A Inches	A mm	B Inches	B mm	C Inches	C mm	Cv	Kv	Weight lbs	Weight kg
			Inlet	Outlet										
SKL9404ST	1/2"	15	Socket Weld	Threaded NPT	14.6	370	3.09	78.48	4	102	5	4.30	3.47	1.68
SKL9408ST	1"	25					3.95	100.33			14	1.16	5.34	2.42
SKL9412ST	1 1/2"	40					5.00	127			28.3	21.9	9.48	4.30
SKL9416ST	2"	50			14.5	368	5.92	150.37	53	45.8	16.3	7.39		

# Stainless Steel Globe Valves for Cryogenic Service

## SK Advantage Series Medium Stem, Inlet Socket Weld, Outlet Threaded NPT



### Application

The SK Advantage Series of Stainless Steel Globe Valves are designed for handling cryogenic liquids through trailer, bulk vessels and piping configurations. Ideal service medium includes oxygen, nitrogen, krypton, carbon dioxide, dinitrogen monoxide, carbon oxide, methane, ethane, ethylene, argon and LNG. Our Kold-Seal stem seal technology assures a tight seal preventing cryogen gas loss. The conical seat design allows exceptional flow, positive shutoff and less chance of debris accumulation in the flow path, all resulting in an overall longer service life. Maintenance on the packing and seat is quick and easy.

### Features

- **Soft Seat:** PCTFE material which is the most widely specified cryogenic seat material in the industry
  - **Construction:** Bolted bonnet allows easy access to the valve internals for servicing
  - **Stem Packing:** Proven Kold-Seal technology, Live Loaded PTFE
  - **Sizes:** 1/4" through 2"
  - **Connection:** Threaded NPT
  - **Service:** Liquefied and vaporized atmospheric gases, LNG
  - **Temperature Rating:** -325°F to +150°F (-198°C to +65°C)
  - **Pressure Rating:** Cold, Non-Shock, 725 psig (50 barg) Class 300 (PN 50)
- Cleaned and packaged for oxygen service per CGA G-4.1
  - **Application:** Multiple stem lengths available for selected service
  - **Packaging:** Each valve is individually bagged and boxed to arrive in factory new condition until installation

### Materials

Body ..... Stainless Steel ASTM A351 CF8  
 Bonnet and Tube Stainless Steel ASTM A351 CF8/ASTM A479 type 304  
 Stem .....Stainless Steel ASTM A582 S30300  
 Spring .....Stainless Steel ASTM A313 S30200  
 Packing..... Live Loaded PTFE Packing  
 Gasket .....PTFE 25% Glass Fill  
 Seat Disc .....PCTFE ASTM D1430  
 Seat Retainer..... Brass ASTM B16  
 Bonnet Screws .....ASTM B16 C36000  
 Handwheel..... Painted Aluminum

### Quality / Facility Features

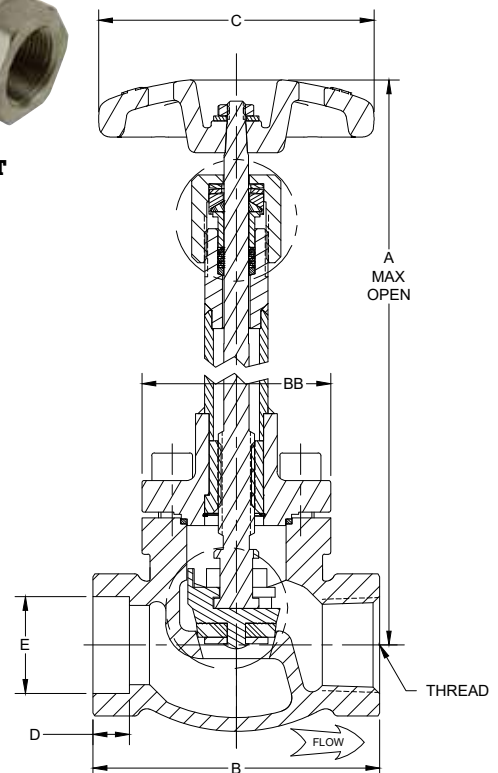
- Material traceability in accordance with BS EN 10204 3.1
- CE Marking per European Pressure Equipment Directive



TPED & PED Certified



SKM9408ST



### Ordering Information

Part Number	Size Inches	Size DN	Connection		A Inches	A mm	B Inches	B mm	C Inches	C mm	Cv	Kv	Weight lbs	Weight kg
			Inlet	Outlet										
SKM9404ST	1/2"	15	Socket Weld	Threaded NPT	10.6	270	3.09	78.48	4	102	5	4.30	3.29	1.48
SKM9408ST	1"	25					3.95	100.33			14	12.10	5.02	2.27
SKM9412ST	1 1/2"	40					5.00	127.00	5	127	28.3	21.60	8.92	4.04
SKM9416ST	2"	50					5.92	150.37			53	45.80	15.30	6.94



# Stainless Steel Globe Valves for Cryogenic Service

## SK Advantage Series Short Stem, Inlet Socket Weld, Outlet Threaded NPT

### Application

The SKS Series globe valves short stem are designed for handling of vapor phase and cryogenic liquids through bulk tanks, trucks, trailers, ISO-containers and piping configurations. Our time tested spring loaded stem packing and superior seat design provide for long life and easy maintenance. Recommended for vapor phase and intermittent cryogenic liquid use.

### Features

- Superior Flow: Provides high Cv for rapid and reliable loading and unloading
- Designed with the unique Kold-Seal™
- Conical PCTFE Seat: provides exceptional flow; bubble tight seal; less chance of debris trapped in the seat and longer service life
- Connections: Socket Weld & Butt Weld
- Sizes: ¼" to 1½"
- Bonnet Type: Bolted
- Pressure Rating: 720 psig (50 barg)
- Temperature Rating: -320°F (-196°C) to +150°F (+65°C)
- Service: Liquefied & Vaporized Atmospheric Gases and LNG for Trailers, Bulk Tanks, Iso-Containers and Piping Configurations
- Cleaned for Oxygen Service per CGA G-4.1

### Materials

Body ..... Stainless Steel ASTM A351 CF8  
 Bonnet and Tube Stainless Steel ASTM A351 CF8/ASTM A479 type 304  
 Stem ..... Stainless Steel ASTM A582 S30300  
 Spring ..... Stainless Steel ASTM A313 S30200  
 Packing ..... Live Loaded PTFE Packing  
 Gasket ..... PTFE 25% Glass Fill  
 Seat Disc ..... PCTFE ASTM D1430  
 Seat Retainer ..... Brass ASTM B16  
 Bonnet Screws ..... ASTM B16 C36000  
 Handwheel ..... Painted Aluminum

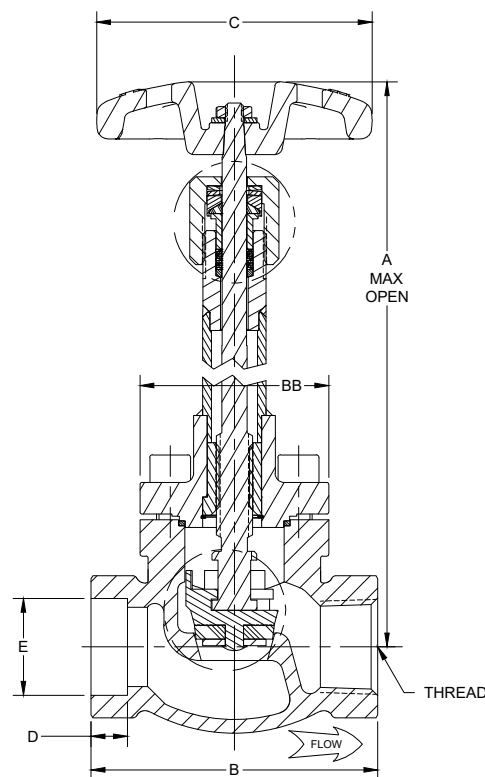
### Quality / Facility Features

- Material traceability in accordance with BS EN 10204 3.1
- CE Marking per European Pressure Equipment Directive

PED Certified



SKS9408T



### Ordering Information

Part Number	Size Inches	Size DN	Connection		A Inches	A mm	B Inches	B mm	C Inches	C mm	Cv	Kv	Weight lbs	Weight kg
			Inlet	Outlet										
SKS9404ST	½"	15	Socket Weld	Threaded NPT	6.7	170	3.09	78.48	4	102	5	4.30	2.62	1.19
SKS9408ST	1"	25					3.95	100.33			14	12.10	4.10	1.86
SKS9412ST	1½"	40			7.0	178	5.00	127.00	5	127	28.3	21.60	7.16	3.25