

Stainless Steel Globe Valves for Cryogenic Service

SK Advantage Series Long Stem

REGO
10
YEAR
WARRANTY

Application

The SK Advantage Series of Stainless Steel Globe Valves are designed for handling cryogenic liquids through trailer, bulk vessels and piping configurations. Ideal service medium includes oxygen, nitrogen, krypton, carbon dioxide, dinitrogen monoxide, carbon dioxide, methane, ethane, ethylene, argon and LNG. Our Kold-Seal stem seal technology assures a tight seal preventing cryogen gas loss. The conical seat design allows exceptional flow, positive shutoff and less chance of debris accumulation in the flow path, all resulting in an overall longer service life. Maintenance on the packing and seat is quick and easy.

Features

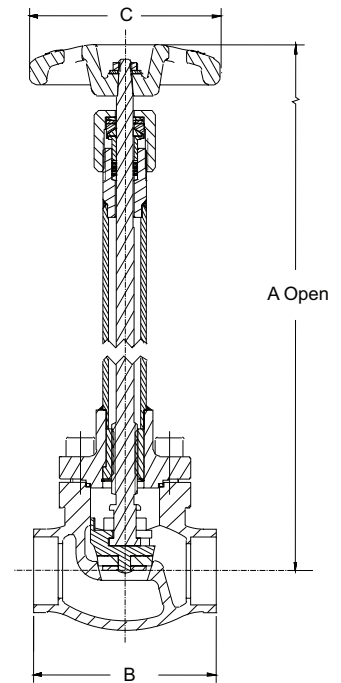
- **Soft Seat:** PCTFE material which is the most widely specified cryogenic seat material in the industry.
 - **Construction:** Bolted bonnet allows easy access to the valve internals for servicing.
 - **Stem Packing:** Proven Kold-Seal technology, Live Loaded PTFE.
 - **Sizes:** 1/4" through 2"
 - **Connection:** Socket weld and butt weld.
 - **Service:** Liquefied and vaporized atmospheric gases, LNG.
 - **Temperature Rating:** -325°F to +150°F (-198°C to +65°C).
 - **Pressure Rating:** Cold, Non-Shock, 725 psig (50 barg) Class 300 (PN 50).
- Cleaned and packaged for oxygen service per CGA G-4.1.
 - **Application:** Multiple stem lengths available for selected service.
 - **Packaging:** Each valve is individually bagged and boxed to arrive in factory new condition until installation.

Materials

Body Stainless Steel ASTM A351 CF8
 Bonnet and Tube ... Stainless Steel ASTM A351 CF8/ASTM A479 type 304
 Stem Stainless Steel ASTM A582 S30300
 Spring Stainless Steel ASTM A313 S30200
 Packing Live Loaded PTFE Packing
 Gasket PTFE 25% Glass Fill
 Seat Disc PCTFE ASTM D1430
 Seat Retainer Brass ASTM B16
 Bonnet Screws ASTM B16 C36000
 Handwheel Painted Aluminum



SK Advantage



Quality / Facility Features

- Material traceability in accordance with BS EN 10204 3.1
- CE Marking per European Pressure Equipment Directive
- ISO 9001 accreditation

TPED & PED Certified



Ordering Information

Part Number	Size (Inches)	Size dn	Connection	A (Inches)	A (mm)	B (Inches)	B (mm)	C (Inches)	C (mm)	Cv	Kv	Weight lbs	Weight kg		
SKL9402SW	1/4"	8	Socket Weld	14.6	370	2.7	68	4	102	1.7	1.47	3.76	1.70		
SKL9404SW	1/2"	15								5	4.30	3.47	1.68		
SKL9406SW	3/4"	20								9.4	8.10	5.17	2.34		
SKL9408SW	1"	25				14	12.10			5.34	2.42				
SKL9412SW	1 1/2"	40				4.7	121			5	127	28.3	21.6	9.48	4.30
SKL9416SW	2"	50	13.6	345	5.7	146	53	45.8	16.3	7.39					
SKL9402BW	1/4"	8	Butt Weld	14.6	370	2.7	68	4	102	1.7	1.47	3.76	1.70		
SKL9404BW	1/2"	15								5	4.30	3.47	1.68		
SKL9406BW	3/4"	20								9.4	8.10	5.17	2.34		
SKL9408BW	1"	25				14	12.10			5.34	2.42				
SKL9412BW	1 1/2"	40				4.7	121			5	127	28.3	21.60	9.48	4.30
SKL9416BW	2"	50				13.6	345			5.7	146	53	45.80	16.3	7.39

*SW = Socket Weld; BW = Butt Weld

Stainless Steel Globe Valves for Cryogenic Service

SK Advantage Series Medium Stem

Application

The SK Advantage Series of Stainless Steel Globe Valves are designed for handling cryogenic liquids through trailer, bulk vessels and piping configurations. Ideal service medium includes oxygen, nitrogen, krypton, carbon dioxide, dinitrogen monoxide, carbon oxide, methane, ethane, ethylene, argon and LNG. Our Kold-Seal stem seal technology assures a tight seal preventing cryogen gas loss. The conical seat design allows exceptional flow, positive shutoff and less chance of debris accumulation in the flow path, all resulting in an overall longer service life. Maintenance on the packing and seat is quick and easy.

Features

- **Soft Seat:** PCTFE material which is the most widely specified cryogenic seat material in the industry.
 - **Construction:** Bolted bonnet allows easy access to the valve internals for servicing.
 - **Stem Packing:** Proven Kold-Seal technology, Live Loaded PTFE.
 - **Sizes:** ¼" through 2"
 - **Connection:** Socket weld and butt weld.
 - **Service:** Liquefied and vaporized atmospheric gases, LNG.
 - **Temperature Rating:** -325°F to +150°F (-198°C to +65°C).
 - **Pressure Rating:** Cold, Non-Shock, 725 psig (50 barg) Class 300 (PN 50).
- Cleaned and packaged for oxygen service per CGA G-4.1.
 - **Application:** Multiple stem lengths available for selected service.
 - **Packaging:** Each valve is individually bagged and boxed to arrive in factory new condition until installation.

Materials

Body Stainless Steel ASTM A351 CF8
 Bonnet and Tube ...Stainless Steel ASTM A351 CF8/ASTM A479 type 304
 Stem Stainless Steel ASTM A582 S30300
 Spring Stainless Steel ASTM A313 S30200
 Packing..... Live Loaded PTFE Packing
 GasketPTFE 25% Glass Fill
 Seat Disc.....PCTFE ASTM D1430
 Seat Retainer.....Brass ASTM B16
 Bonnet ScrewsASTM B16 C36000
 Handwheel..... Painted Aluminum

Quality / Facility Features

- Material traceability in accordance with BS EN 10204 3.1
- CE Marking per European Pressure Equipment Directive
- ISO 9001 accreditation

TPED & PED Certified

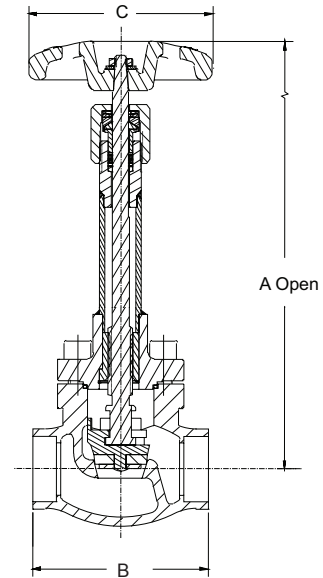
Ordering Information



Part Number	Size (Inches)	Size dn	Connection	A (Inches)	A (mm)	B Inches)	B (mm)	C (Inches)	C (mm)	Cv	Kv	Weight lbs	Weight kg
SKM9402SW	¼"	8	Socket Weld	10.6	270	2.7	68	4	102	1.7	1.47	3.31	1.50
SKM9404SW	½"	15								5	4.30	3.29	1.48
SKM9406SW	¾"	20								9.4	8.10	4.86	2.20
SKM9408SW	1"	25				14	12.10	5.02	2.27				
SKM9412SW	1½"	40				4.7	121	5	127	28.3	21.60	8.92	4.04
SKM9416SW	2"	50				5.7	146			53	45.80	15.30	6.94
SKM9402BW	¼"	8	Butt Weld	10.6	270	2.7	68	4	102	1.7	1.47	3.31	1.50
SKM9404BW	½"	15								5	4.30	3.29	1.48
SKM9406BW	¾"	20								9.4	8.10	4.86	2.20
SKM9408BW	1"	25				14	12.10	5.02	2.27				
SKM9412BW	1½"	40				4.7	121	5	127	28.3	21.60	8.92	4.04
SKM9416BW	2"	50				5.7	146			53	45.80	15.30	6.94



SKM9406BW



Stainless Steel Globe Valves for Cryogenic Service

SK Advantage Series Short Stem

Application

The SKS Series globe valves short stem are designed for handling of cryogenic liquids through bulk tanks, trucks, trailers, ISO-containers and piping configurations. Our time tested spring loaded stem packing and superior seat design provide for long life and easy maintenance.

Features

- Superior Flow: Provides high Cv for rapid and reliable loading and unloading.
- Designed with the unique Kold-Seal™.
- Conical PCTFE Seat: provides exceptional flow; bubble tight seal; less chance of debris trapped in the seat and longer service life.
- Connections: Socket Weld & Butt Weld.
- Sizes: ¼" to 1-1/2".
- Bonnet Type: Bolted.
- Pressure Rating: 720 PSI (50 barg)
- Temperature Rating: -325°F (-198°C) to +150°F (+65°C).
- Service: Liquefied & Vaporized Atmospheric Gases and LNG for Trailers, Bulk Tanks, Iso-Containers and Piping Configurations.
- Cleaned for Oxygen Service per CGA G-4.1

Materials

Body Stainless Steel ASTM A351 CF8
 Bonnet and Tube ...Stainless Steel ASTM A351 CF8/ASTM A479 type 304
 Stem Stainless Steel ASTM A582 S30300
 Spring Stainless Steel ASTM A313 S30200
 Packing..... Live Loaded PTFE Packing
 Gasket PTFE 25% Glass Fill
 Seat Disc PCTFE ASTM D1430
 Seat Retainer..... Brass ASTM B16
 Bonnet Screws ASTM B16 C36000
 Handwheel..... Painted Aluminum

PED Certified

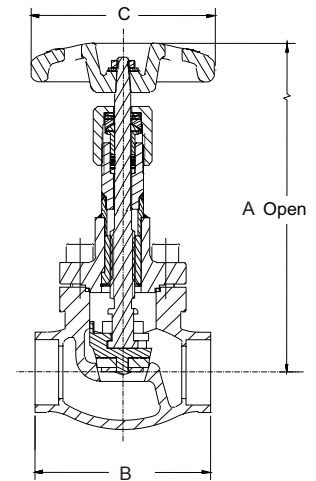


Ordering Information

Part Number	Size Inches	Size dn	Connection	A (Inches)	A (mm)	B (Inches)	B (mm)	C (Inches)	C (mm)	Cv	Kv	Weight lbs	Weight kg
SKS9402SW	¼"	8	Socket Weld	6.7	170	2.7	68	4	102	1.7	1.47	2.64	1.20
SKS9404SW	½"	15				3.6	92			5	4.30	2.62	1.19
SKS9406SW	¾"	20				4.7	120			9.4	8.10	4.21	1.91
SKS9408SW	1"	25		7.0	178	14	12.10	4.10	1.86				
SKS9412SW	1½"	40				28.3	21.60	7.16	3.25				
SKS9402BW	¼"	8	Butt Weld	6.7	170	2.7	68	4	102	1.7	1.47	2.64	1.20
SKS9404BW	½"	15				3.6	92			5	4.30	2.62	1.19
SKS9406BW	¾"	20				4.7	120			9.4	8.10	4.21	1.91
SKS9408BW	1"	25		7.0	178	14	12.10	4.10	1.86				
SKS9412BW	1½"	40				28.3	21.60	7.16	3.25				



SKS9406BW



Quality / Facility Features

- Material traceability in accordance with BS EN 10204 3.1
- CE Marking per European Pressure Equipment Directive
- ISO 9001 accreditation