

# Extended Double-Check Filler Valves

## E7579

### Application

The E7579 is a RegO manual double-back check filler valve that incorporates two resilient upper checks. It also provides an additional height when connecting your hose end valve without the need for a filler extension. The additional height of this filler valve reduces the chance of exposure to dirt, debris, etc. that typically occur in underground tank applications.

### Features

- Provides an additional height of approximately 4.5" compared to standard L7579 filler valve
- Low emission- 2.14 cubic centimeters at disconnect
- Double-back check provides added system protection provided with two soft seat upper checks and metal to metal lower check
- Upper filler valve assembly can be easily replaced without evacuating the container
- Upper and lower checks are spring actuated for quick, precise closure when flow into the valve stops or reverses
- Specify RegO Filler Valves on all your original tank purchases to ensure quality and dependable performance
- Temperature range of -40°F to +165°F
- MAWP: 250 PSIG(17 Bar)

### Materials

Upper Body.....	Brass
Lower Body.....	Brass
Springs.....	Stainless Steel
Washer and Seat Disc.....	Synthetic Rubber
Cap.....	Plastic

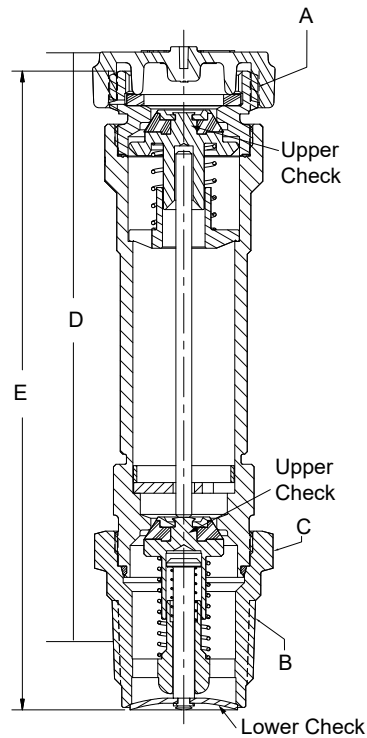
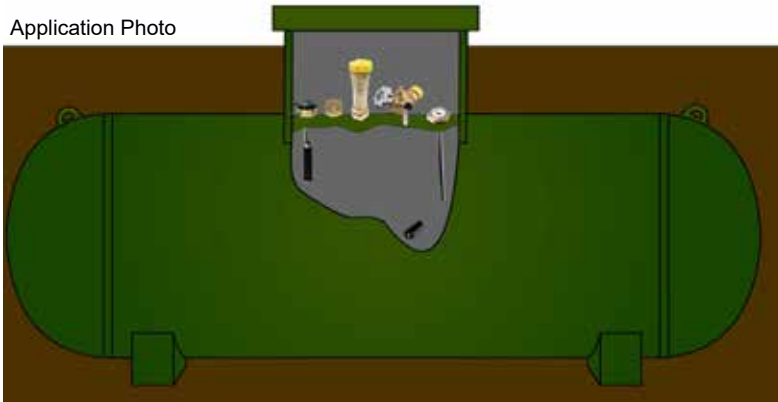


**E7579C**



**EG167**

Application Photo



### Ordering Information

Part Number		A.	B.	C.	D.	E.	Accessories*
Basic	With Cap & Lanyard	ACME Hose Connection	Tank Connection M. NPT	Wrench Hex Flats	Effective Length (Approx.)	Effective Length (Approx.)	Float Gauge Extension
E7579	E7579C	1¼"	1¼"	1⅝"	6⅝"	7½"	EG167

\*Not Included

# Filler Valve Extension Retrofit Kit for L7579

## E7579-KIT

### Application

The E7579-KIT Extension Retrofit Kit is designed to extend the filler valve section upward on the L7579, when it is necessary to allow for an extended filler connection.



### Features & Benefits

- Provides an additional height of approximately 4.5" to the L7579 filler valve
- Low emission- 2.14 cubic centimeters at disconnect
- Double-back check provides added system protection provided with two soft seat upper checks and metal to metal lower check



### Ordering Information

Part Number	For use on:	F. ACME Connection	Wrench Hex Flats
E7579-KIT	L7579	1¼"	1⅞"
	L6579		