

# Stainless Steel 2" F.NPT Soft Seat Back Check SSA3186

## Application

Designed to provide protection of a container opening when desired flow is always into the vessel. May be used in line applications where flow must be limited to one direction.

When used with the appropriate single check filler valve, the combination forms a double check filler valve suitable for use in filling of bulk storage tanks.

## Features

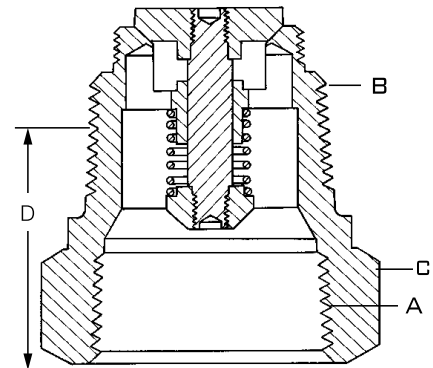
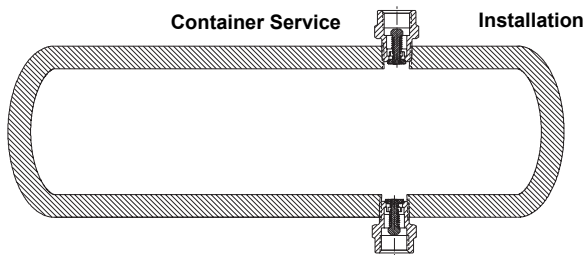
- Generous flow channels for low pressure drop.
- Heavy-duty Stainless Steel construction for long service life.
- Soft seat valves have synthetic rubber seat disc for positive seals.
- Temperature range of -40°F to +165°F (-40°C to +73°C)
- MAWP: 400 PSIG(27 Bar)

## Materials

Body ..... Stainless Steel  
 Disc ..... Stainless Steel  
 Stem ..... Stainless Steel  
 Spring ..... Stainless Steel  
 Seat Disc ..... Nitrile



SSA3186



## Ordering Information

| Part Number | A<br>Inlet Connection<br>F.NPT | B<br>Outlet Connection<br>M.NPT | C<br>Wrench Hex Flats | D<br>Effective Length (approx.) |
|-------------|--------------------------------|---------------------------------|-----------------------|---------------------------------|
| SSA3186     | 2"                             | 2"                              | 3"                    | 2 3/8"                          |

NOTE: Multiply flow rate by .94 to determine liquid butane capacity and by .90 to determine liquid anhydrous ammonia capacity.

# Stainless Steel 3" F.NPT Soft Seat Back Check SSA3196

## Application

Designed to provide protection of a container opening when desired flow is always into the vessel. May be used in line applications where flow must be limited to one direction.

When used with the appropriate single check filler valve, the combination forms a double check filler valve suitable for use in filling of bulk storage tanks.

## Features

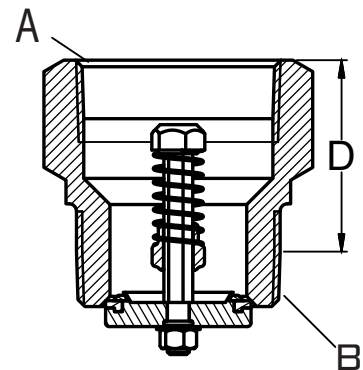
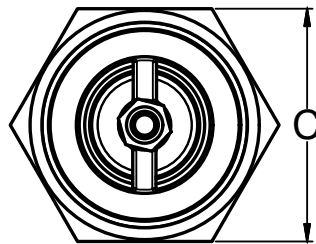
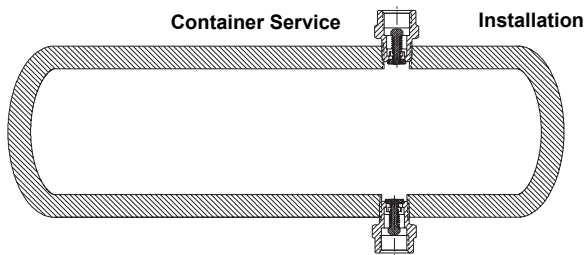
- Generous flow channels for low pressure drop.
- Heavy-duty Stainless Steel construction for long service life.
- Soft seat valves have synthetic rubber seat disc for positive seals.
- Temperature range of -40°F to +165°F (-40°C to +73°C)
- MAWP: 400 PSIG(27 Bar)

## Materials

|                 |                 |
|-----------------|-----------------|
| Body .....      | Stainless Steel |
| Disc .....      | Stainless Steel |
| Stem .....      | Stainless Steel |
| Spring .....    | Stainless Steel |
| Seat Disc ..... | Nitrile         |



**SSA3196**



## Ordering Information

| Steel   | A<br>Inlet Connection<br>F.NPT | B<br>Outlet Connection<br>M.NPT | C<br>Wrench Hex Flats | D<br>Effective Length (approx.) |
|---------|--------------------------------|---------------------------------|-----------------------|---------------------------------|
| SSA3196 | 3"                             | 3"                              | 4"                    | 37/32"                          |

NOTE: Multiply flow rate by .94 to determine liquid butane capacity and by .90 to determine liquid anhydrous ammonia capacity.

# Stainless Steel 3" F.NPT by 3" M.MPT/2"F. NPT Soft Seat Back Check SSA3197

## Application

Designed to provide protection of a container opening when desired flow is always into the vessel. May be used in line applications where flow must be limited to one direction.

When used with the appropriate single check filler valve, the combination forms a double check filler valve suitable for use in filling of bulk storage tanks.

## Features

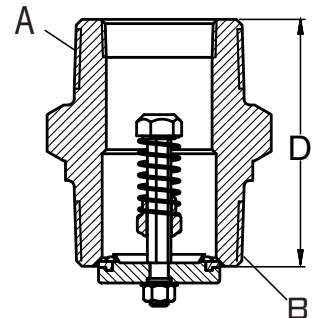
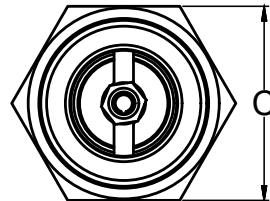
- Generous flow channels for low pressure drop.
- Heavy-duty Stainless Steel construction for long service life.
- Soft seat valves have synthetic rubber seat disc for positive seals.
- Temperature range of -40°F to +165°F (-40°C to +73°C)
- MAWP: 400 PSIG(27 Bar)

## Materials

|                 |                 |
|-----------------|-----------------|
| Body .....      | Stainless Steel |
| Disc .....      | Stainless Steel |
| Stem .....      | Stainless Steel |
| Spring .....    | Stainless Steel |
| Seat Disc ..... | Nitrile         |



**SSA3197**



## Ordering Information

| Part Number    | A<br>Inlet Connection<br>F.NPT | B<br>Outlet Connection<br>M.NPT | C<br>Wrench Hex Flats | D<br>Effective Length (approx.)  |
|----------------|--------------------------------|---------------------------------|-----------------------|----------------------------------|
| <b>SSA3197</b> | 2" F. NPT/3" M. NPT            | 3"                              | 4"                    | 5 <sup>9</sup> / <sub>10</sub> " |

NOTE: Multiply flow rate by .94 to determine liquid butane capacity and by .90 to determine liquid anhydrous ammonia capacity.