

High Pressure First Stage Regulators

LV4403SR and TR Series

Application

Provides accurate first stage regulation in two-stage bulk tank systems. Reduce tank pressure to an intermediate pressure of 5 to 10 PSIG (0.34 to 0.69 BARG). Also used to supply high pressure burners for applications like industrial furnaces or boilers. Also incorporated in multiple cylinder installations.

Features

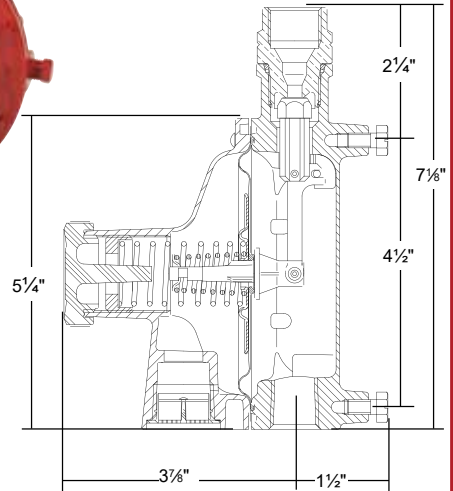
- Incorporate integral relief valves for added system protection.
- Large vent helps prevent blockage and has 3/4" F.NPT thread for vent piping.
- Bonnet vent positioned over outlet to avoid icing and contamination by foreign material.
- Unique bonnet vent profile designed to minimize vent freeze over when properly installed.
- Replaceable valve orifice and valve seat disc.
- Straight-line valve closure reduces wear on seat disc.
- Large molded diaphragm is extra sensitive to pressure changes.
- Built in pressure tap has plugged 1/8" F.NPT outlet. Plug can be removed with a 3/16" hex allen wrench.
- Extra long lever arm provides uniform delivery pressure.
- Brilliant red finish.
- Temperature Range: -40°F to +165°F

Materials

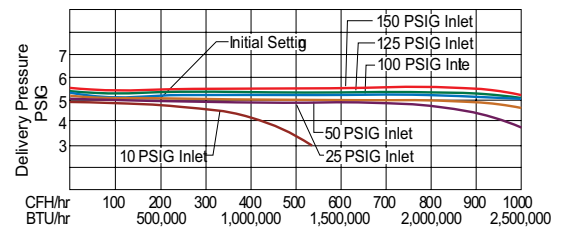
Body	Die Cast Zinc
Bonnet	Die Cast Zinc
Nozzle Orifice	Brass
Spring	Steel
Valve Seat Disc	Resilient Rubber
Diaphragm	Integrated Fabric and Synthetic Rubber



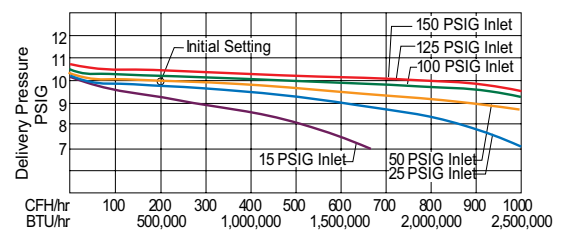
LV4403 Series



LV4403SR



LV4403TR



Ordering Information

Part Number	Inlet Connection	Outlet Connection	Orifice Size	Factory Delivery Pressure	Adjustment Range	Bonnet Vent Position	Vapor Capacity BTU/hr Propane*
LV4403SR4	1/2" F. NPT	1/2" F. NPT	1/4" (6.25mm)	5 PSIG @ 50 PSIG inlet (0.34 Bar @ 3.44 Bar inlet)	1-5 PSIG (0.069-0.34 bar)	Over Outlet	2,500,000 BTU/hr (53 KG/hr)
LV4403SR4VI						Over Inlet	
LV4403TR4				Over Outlet			
LV4403TR4V9				9 o'clock			
LV4403TR4VI				Over Inlet			
LV4403SR9	F. POL	1/2" F. NPT		5 PSIG @ 50 PSIG inlet (0.34 Bar @ 3.44 Bar inlet)	1-5 PSIG (0.069-0.34 bar)	Over Outlet	
LV4403TR9						Over Outlet	
LV4403TR9V9				9 o'clock			
LV4403SR96		3/4" F. NPT		5 PSIG @ 50 PSIG inlet (0.34 Bar @ 3.44 Bar inlet)	1-5 PSIG (0.069-0.34 bar)	Over Inlet	
LV4403SR96VI						Over Inlet	
LV4403TR96			Over Outlet				
LV4403TR96V9			9 o'clock				
LV4403SR96			5 PSIG @ 50 PSIG inlet (0.34 Bar @ 3.44 Bar inlet)	1-5 PSIG (0.069-0.34 bar)	Over Inlet		
LV4403TR96					Over Inlet		
LV4403TR96V9	9 o'clock						

*Maximum flow based on inlet pressure 20 PSIG(1.4 bar) higher than the regulator setting and delivery pressure 20% lower than the regulator setting and delivery pressure 20% lower than the setting.