

Hose End Valve Holster A7790HEH

Application

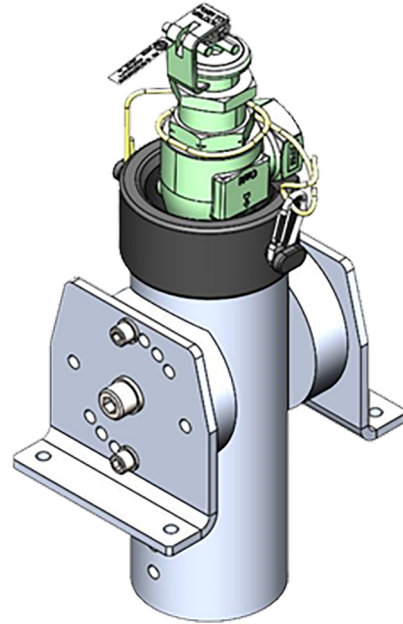
Designed to provide a sturdy and robust holder to store quick-acting hose end valves for dispensary, bobtail, and transport applications. This holster allows for mounting fully above deck or partially recessed in the deck of a bobtail. Additionally, the angularity can be adjusted to allow for desired orientation. The holster can also be adjusted to allow for side mounting when needing to mount inside of a cabinet.

Features

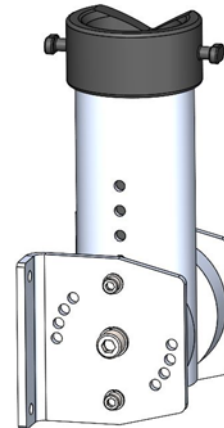
- Standard orientation allows for no modification of the bobtail deck to placement
- Adjustable base designed to allow for recessing in the deck of a bobtail.
- Angularity adjustment allows for users to adjust the angle of the holster for ease of placement
- Coated coated with lanyard allows for security of the hose end valve placement
- Base and holster can be modified for wall mounted in a meter cabinet
- Vibration Resistant holster to withstand road service
- Mounting hardware supplied



COMING SOON



A7790HEH



A7790HEH Side Mounted Position

Ordering Information

Part Number	Fits Hose End Valve
A7790HEH	A7796A & A7797A